



YAMAHA YZF-R1 (2009 - 2010)

RACING & EVOLUTION EXHAUST SYSTEM

Akrapovic Racing and Evolution systems are designed for riders who demand maximum performance from their motorcycle. Both systems are significantly lighter if compared to stock exhaust system and feature exceptional production quality, hi-tech materials and of course increased engine performance combined with pure racing sound output. The Akrapovic Racing and Evolution systems were developed to complement the racing character of the R1. Evolution system is made entirely of our exclusive high grade titanium while Racing system uses stainless steel header tubes and link pipe. We offer titanium or carbon-fiber mufflers for each combination. Both systems are not street legal and are designed for racing purpose only.

PERFORMANCE

Measurements of the Akrapovic EVOLUTION system on the YAMAHA YZF R1 (without muffler insert):

Power & Torque: The power increase with the Akrapovic system is substantial, and can be seen from 7000 rpm right to the top of the range. At 12460 rpm we measured 165.7 HP, with max. increased power of 7.8 HP at 5900 rpm. The system's effect on the torque and power curve is huge and strongest in midrange rpm. The main increase starts at around 4500 rpm and continues right into the over-rev range. All this will help you shave lap times and result in much smoother ride.



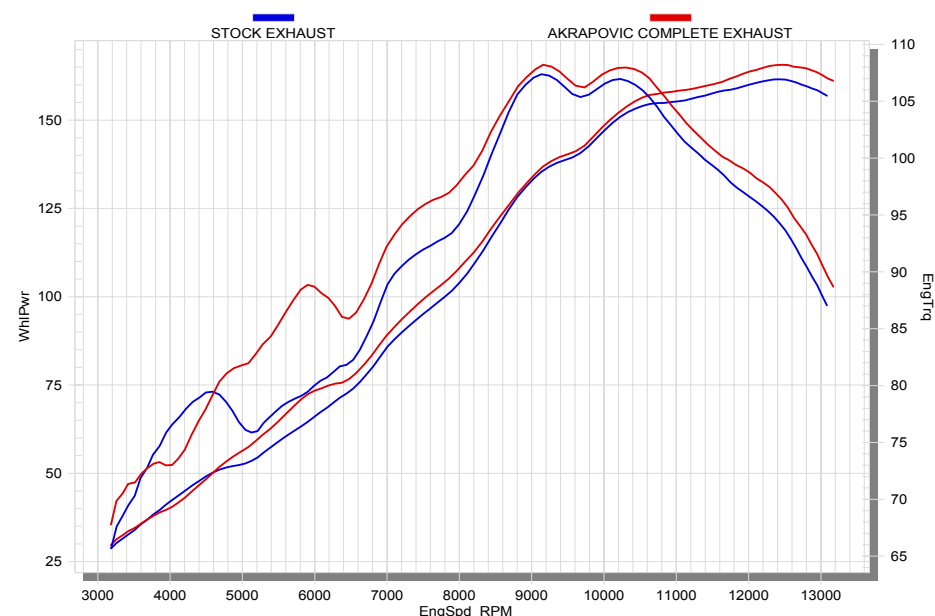
PERFORMANCE			
	stock	AKRAPOVIC	max. increased power
max. rear wheel power HP / rpm (measured on Dynojet ATV)	161.6 / 12430	165.7 / 12460	7.8 / 5900

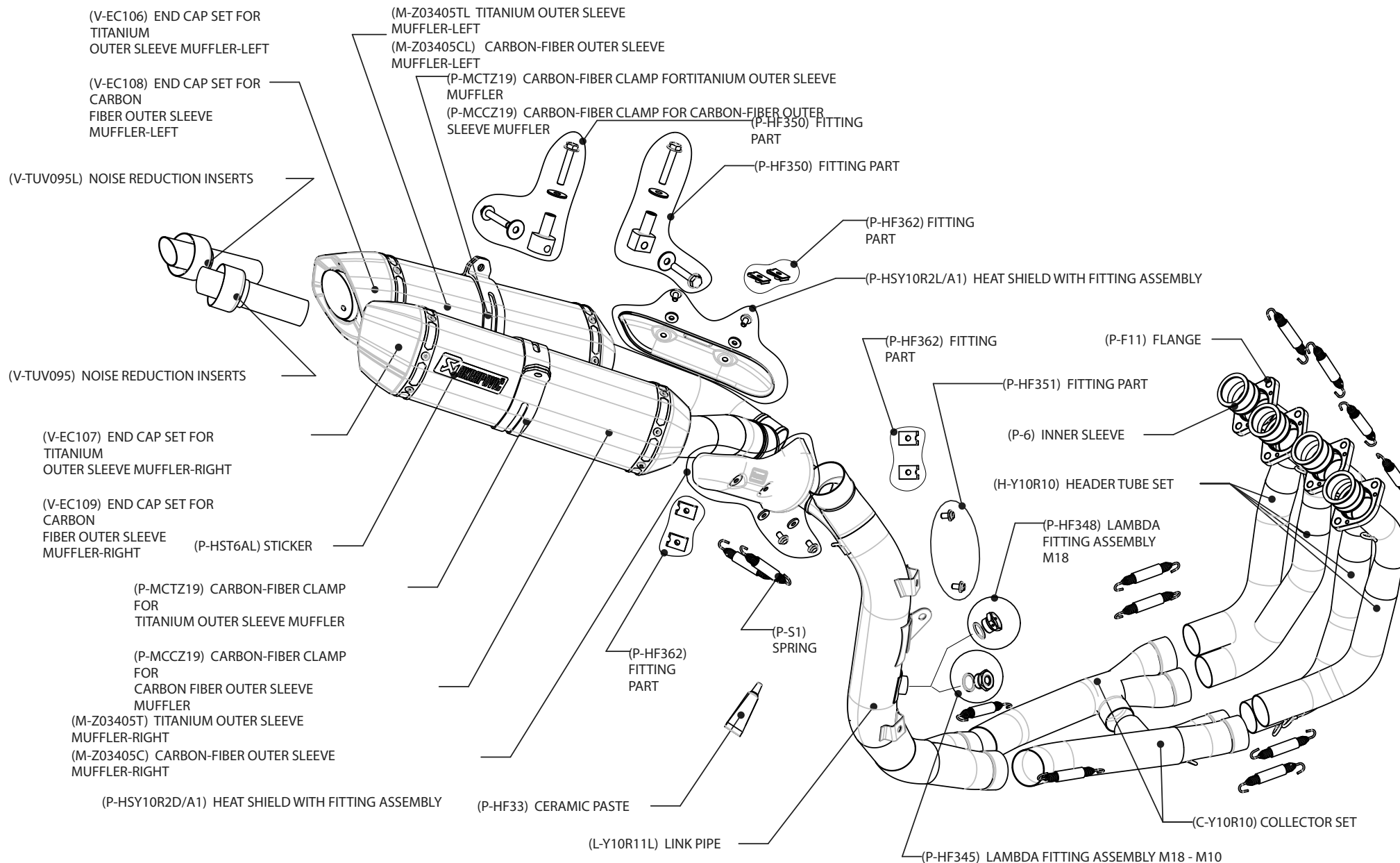
ADDITIONAL DATA					
weight comparison (kg)	stock	AKRAPOVIC		difference	
	10.02	RACING	EVOLUTION	stock - RACING	stock - EVOLUTION
		7.4	5.93	2.62	4.09

noise measurements (dB / rpm)	stock	AKRAPOVIC
		98 / 6200
legal for street use	NO	

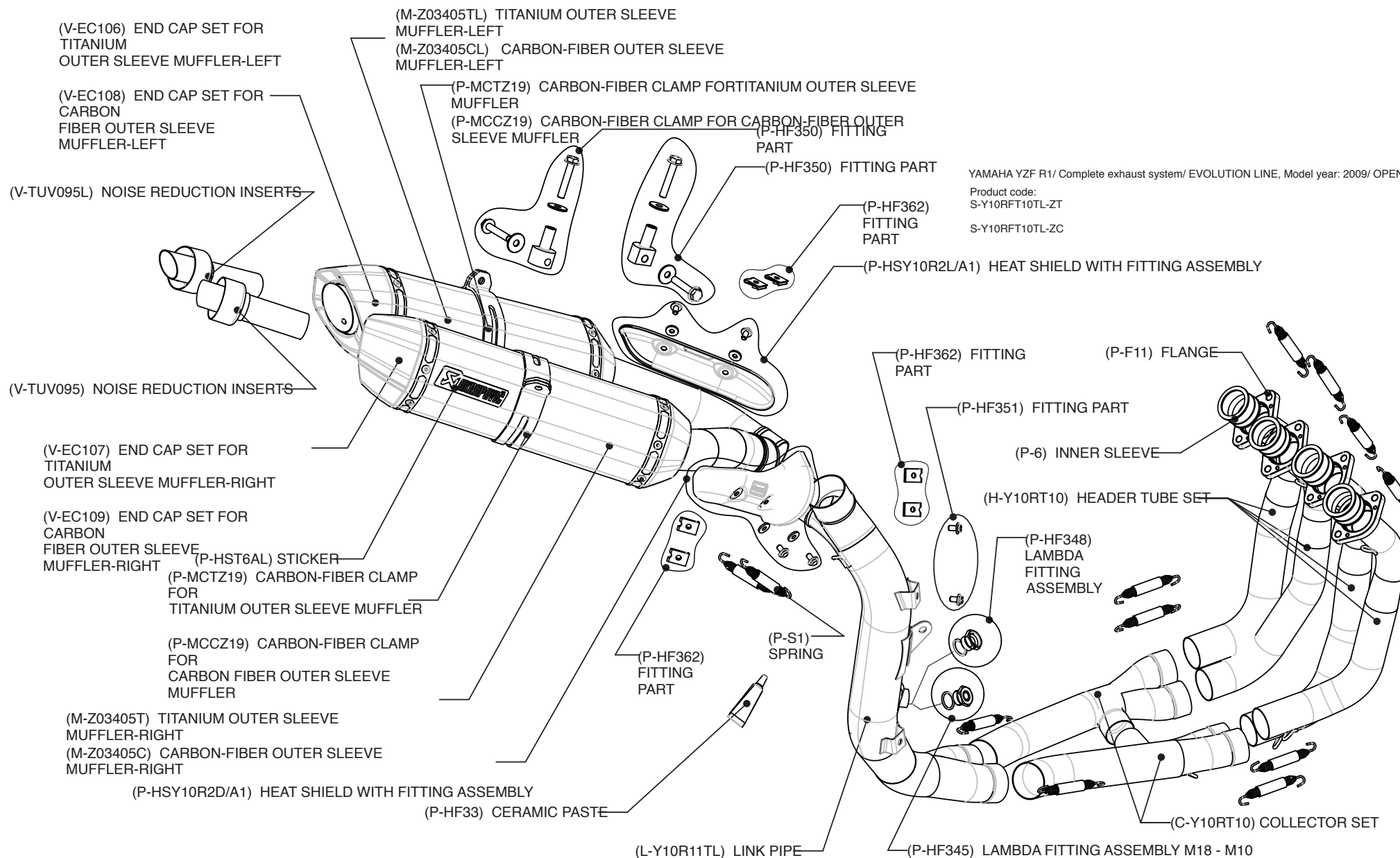
Technical specifications of Akrapovic exhaust systems and related products subject to change without notice.

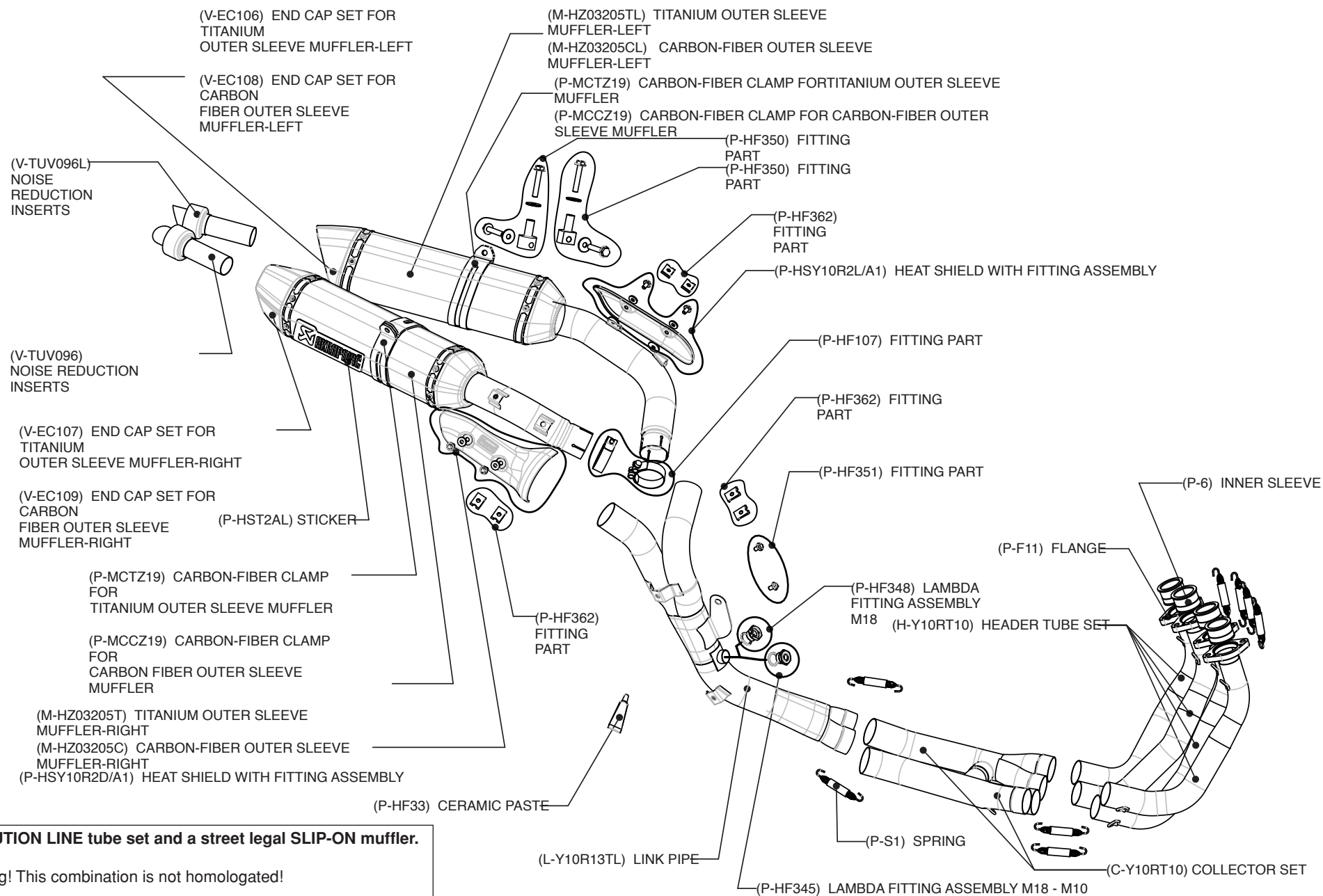
Product code: (110545) S-Y10RFT10TL-ZC, (110544) S-Y10RFT10TL-ZT evolution
(110547) S-Y10R11-ZC, (110546) S-Y10R11-ZT racing





Product code: (110547) S-Y10R11-ZC, (110546) S-Y10R11-ZT racing





EVOLUTION LINE tube set and a street legal SLIP-ON muffler.
 Warning! This combination is not homologated!