



Slip-On Line (Titanium)

Produkt-Code: **S-S2SO5-BNTA SA**

Silencer with Titanium outer sleeve designed for recreational riders and delivers an outstanding combination of performance, design, and durability plus the well-known Akrapovič quality, ease of installation, and genuine affordability.

Special coating for the silencer outer sleeve giving better scratch resistance and easier cleaning.

Fulfills FIM 2013 noise control.

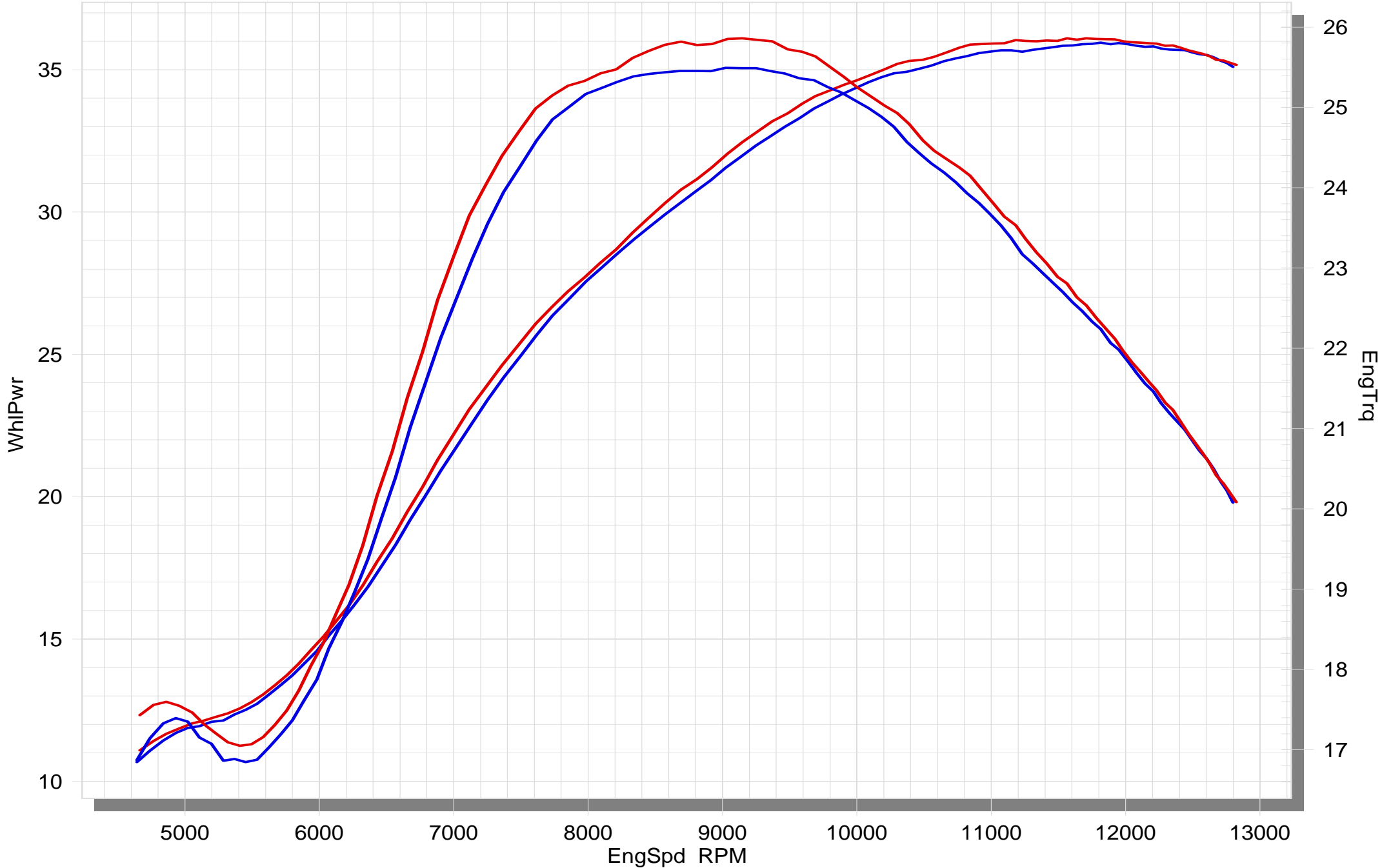
TECH. DATEN	EINHEIT	ORIGINAL	AKRAPOVIČ	MAX. WERTE
Maximale Leistung	kW	26.5 bei 11800 rpm	26.6 bei 11700 rpm	+ 0.3 bei 11250 rpm
	PS (m)	36 bei 11800 rpm	36.1 bei 11700 rpm	+ 0.4 bei 11250 rpm
	PS (i)	35.5 bei 11800 rpm	35.6 bei 11700 rpm	+ 0.4 bei 11250 rpm
Maximales Drehmoment	Nm	25.5 bei 9000 rpm	25.9 bei 9150 rpm	+ 0.4 bei 9150 rpm
	lb-ft	18.8 bei 9000 rpm	19.1 bei 9150 rpm	+ 0.3 bei 9150 rpm
Gewicht	kg	3.1	2.8	- 0.3
	lb	6.8	6.2	- 0.7
Statische Geräuschpegel	dB	112	112	0
	rpm	XX	XX	XX

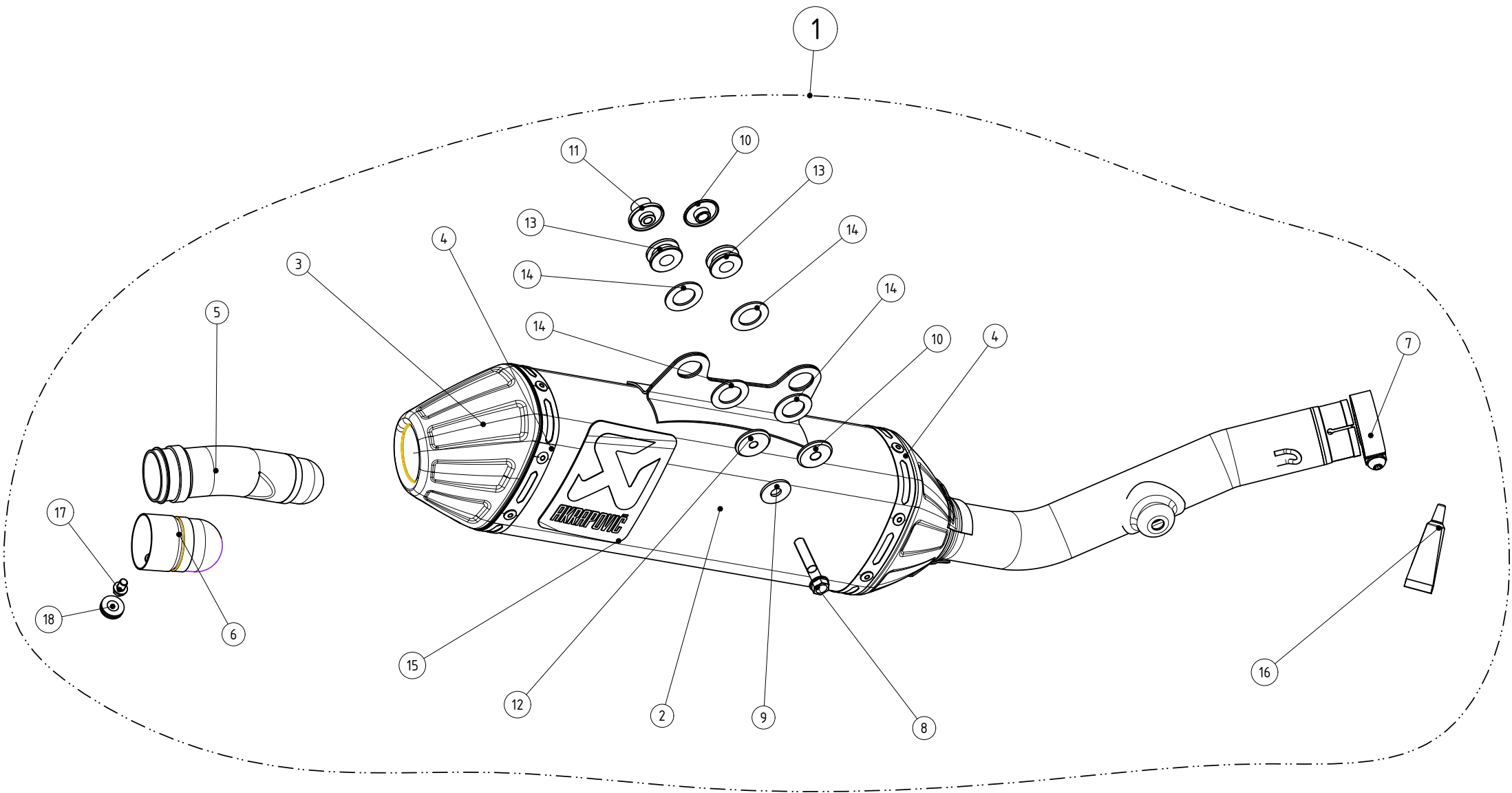
gemessen mit: Suzuki RM-Z 250 2013

SUZUKI RM-Z 250

STOCK

SLIP-ON





MUFFLER REPAIR KITS	
REPACK	19
SLEEVE	20

No.	SALES CODE	DESCRIPTION	QTY.
1	S-S2SO5-BNTA	slip on system	1
2	M-BN00703T	muffler	1
3	V-EC176	end cap TI	1
4	P-TT51	belt TI for TI sleeve	2
5	V-TUV062/1	insert SS	1
6	P-SA002	insert SS	1
7	P-R3	clamp SS	1
8	P-FB57	bolt	1
9	P-DR65	washer SS	1
10	P-DR62	spacer bushe AL	2
11	P-DR58	spacer bushe AL	1
12	P-DR68	spacer bushe AL	1
13	P-GUV013	rubber insert	2
14	P-DR63	washer TI	4
15	P-VST1AL	sticker	2
16	P-HF113	copper paste	1
17	P-FB56	bolt	1
18	P-GUV004	rubber insert	1
19	P-RPCK82	muffler repack kit	1
20	P-RKS350BNT360	muffler sleeve kit	1