



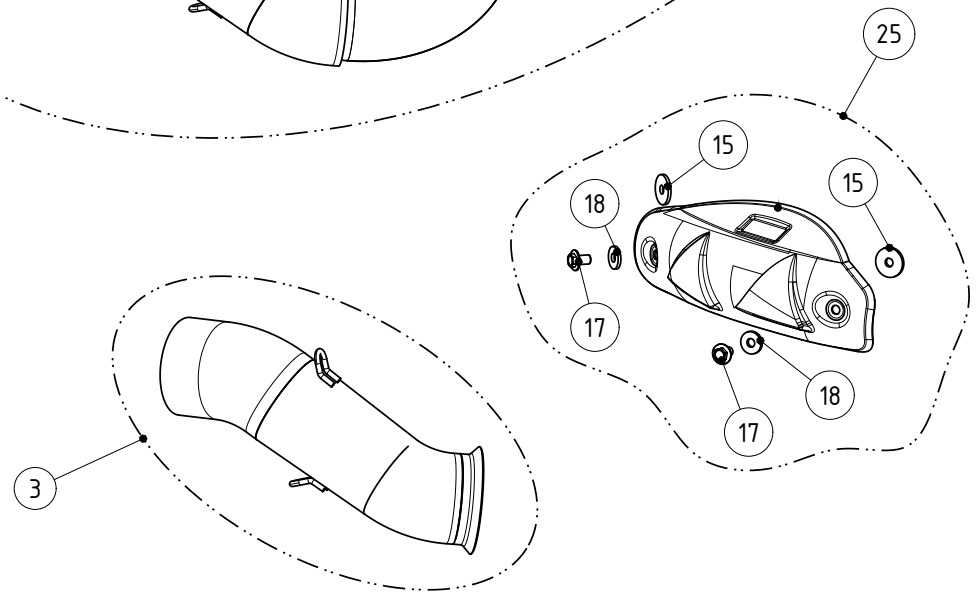
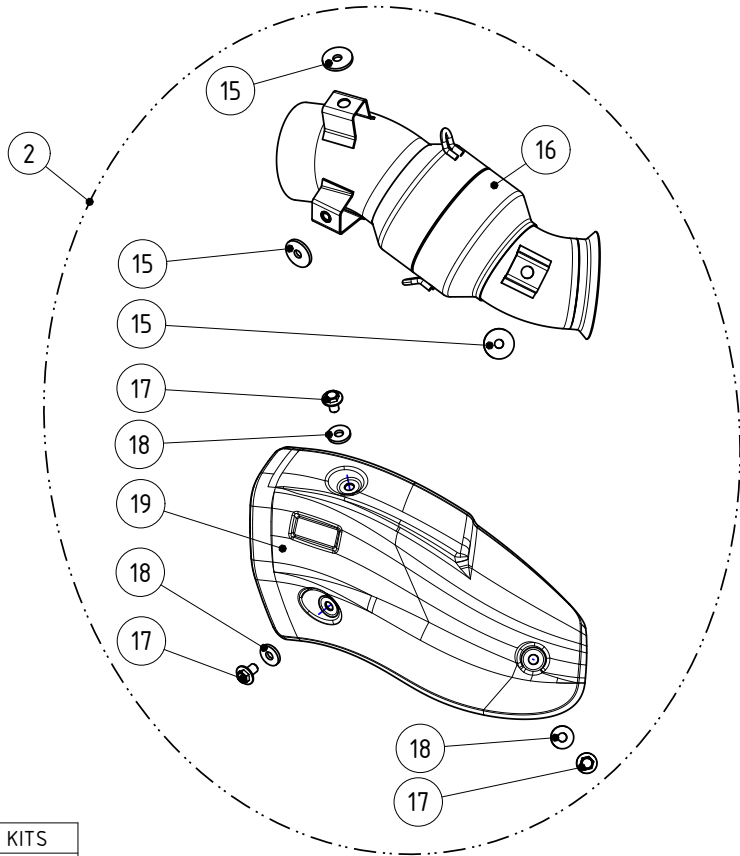
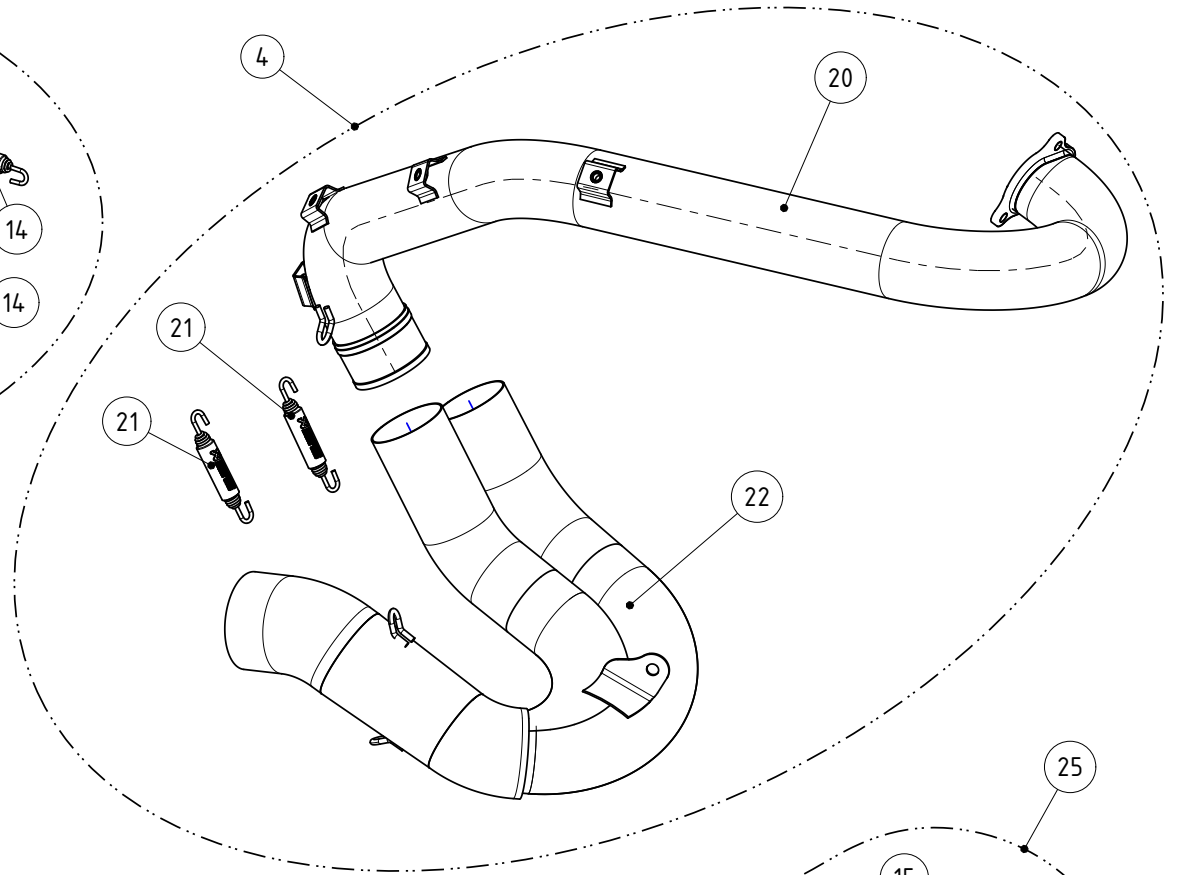
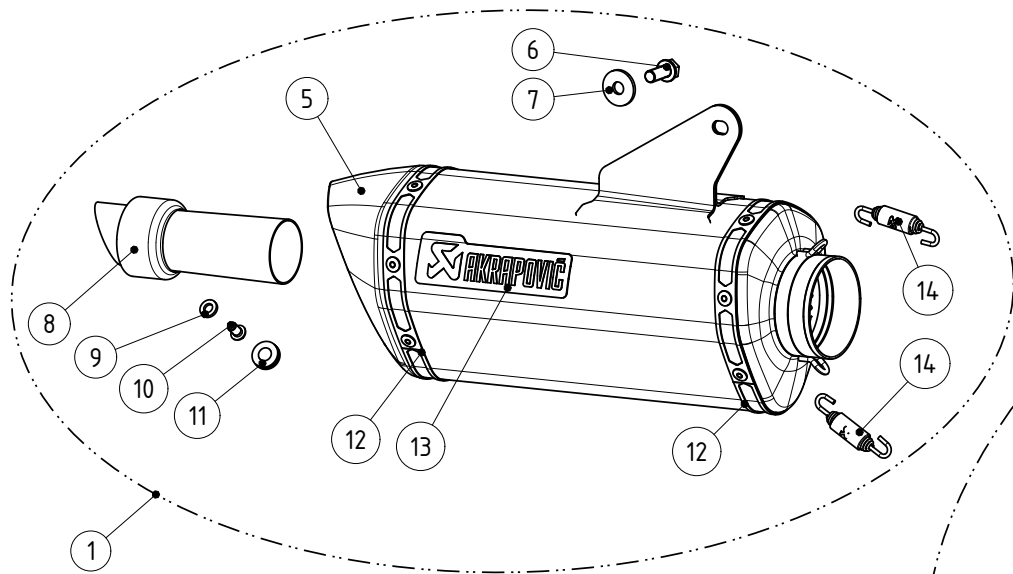
Heat shield (Carbon)

Produkt-Code: P-HSD8E2

Akrapovič carbon fibre heat shield to replace stock heat shield.

| TECH. DATEN | EINHEIT | ORIGINAL | AKRAPOVIČ | MAX. WERTE |
|-------------|---------|----------|-----------|------------|
|-------------|---------|----------|-----------|------------|

gemessen mit: Ducati Hypermotard 2014



| MUFFLER REPAIR KITS | |
|---------------------|----|
| REPACK | 23 |
| SLEEVE | 24 |

WARNING! EC TYPE APPROVAL IS VALID ONLY WHEN LINK PIPE WITH CATALYTIC CONVERTER IS INSTALED!

| No. | SALES CODE | DESCRIPTION | QTY. |
|-----|---------------|-----------------------|------|
| 1 | S-D8SO1-HRT | slip-on system | 1 |
| 2 | L-D8SO1H | link pipe with cat | 1 |
| 3 | L-D8SO2 | link pipe w/o cat | 1 |
| 4 | E-D8E1 | header ti optional | 1 |
| 5 | V-EC205 | end cap CA | 1 |
| 6 | P-FB45 | bolt | 1 |
| 7 | P-DR4 | washer SS | 1 |
| 8 | V-TUV156 | noise insert | 1 |
| 9 | P-DR18 | washer SS | 1 |
| 10 | P-FB28 | bolt | 1 |
| 11 | P-GUV004 | rubber insert | 1 |
| 12 | P-TT31 | titanium tape | 2 |
| 13 | P-HST6AL | sticker | 1 |
| 14 | P-S2/1 | spring | 2 |
| 15 | P-DRH1/BAR316 | heat resistant washer | 5 |
| 16 | L-D8SO1H/1 | link pipe hom | 1 |
| 17 | P-FB44 | bolt | 5 |
| 18 | P-DRH4/BAR316 | heat resistant washer | 5 |
| 19 | P-HSD8E1 | heat shield CA | 1 |
| 20 | H-D8E1 | header TI | 1 |
| 21 | P-S1/2 | spring | 2 |
| 22 | L-D8E1 | link pipe TI | 1 |
| 23 | P-RPCK119 | muffler repack kit | 1 |
| 24 | P-RKS435R270 | muffler sleeve kit | 1 |
| 25 | P-HSD8E2 | heat shield CA | 1 |