



KAWASAKI ZX-10R (2010)

RACING & EVOLUTION EXHAUST SYSTEM

Akrapovic Racing and Evolution systems are designed for riders who demand maximum performance from their motorcycle. Both systems are significantly lighter, if compared to the stock exhaust system and feature exceptional production quality, hi-tech materials and of course increased engine performance combined with pure racing sound output. The Akrapovic Racing and Evolution systems were developed to complement the racing character of the Kawasaki Ninja. The Evolution system is made entirely of our exclusive high grade titanium while the Racing system uses stainless steel header tubes and link pipe. We offer titanium or carbon-fiber mufflers for each combination. Both systems are not street legal and are designed for racing purpose only.

PERFORMANCE

Measurements of the Akrapovic RACING and EVOLUTION system on the KAWASAKI ZX-10R (without muffler insert):

Power & Torque: The power increase with the Akrapovic system is substantial, and can be seen from 7000 rpm right to the top of the range. At 12800 rpm we measured 179.5 HP, with a max. power increase of 9.8 HP at 12600 rpm. The system's effect on the torque and power curve is huge and strongest at midrange rpm. The main increase starts at around 4500 rpm and continues right into the over-rev range.



PERFORMANCE			
	stock	AKRAPOVIC	max. increased power
max. rear wheel power HP / rpm <small>(measured on SuperFlow Cyle Dyn)</small>	169.3 / 12350	179.5 / 12800	9.8 / 12600

ADDITIONAL DATA					
weight comparison (kg)	stock	AKRAPOVIC		difference	
	11.37	RACING	EVOLUTION	stock - RACING	stock - EVOLUTION
		5.65	4.09	5.72	7.28

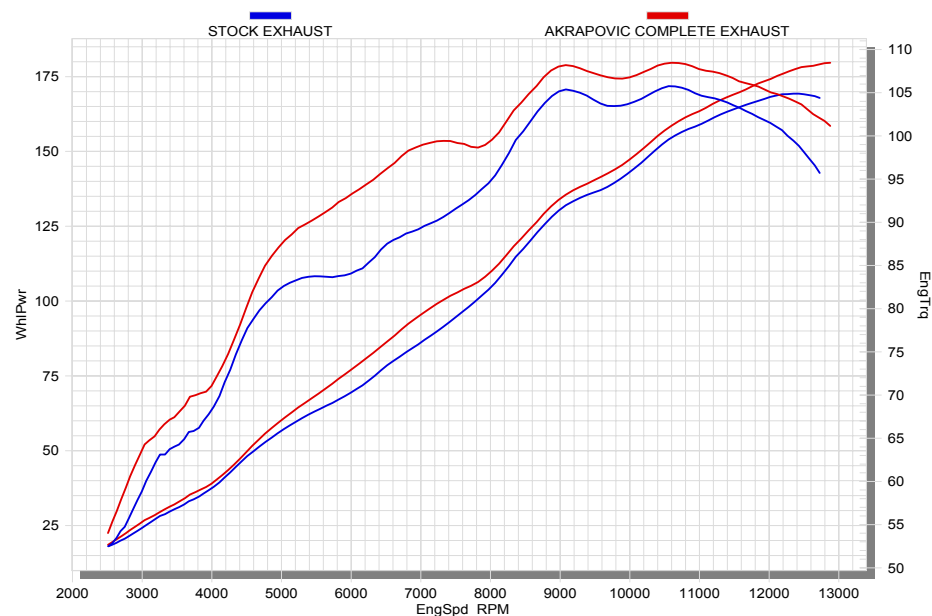
noise measurements (dB / rpm)	stock	AKRAPOVIC
		95 / 6200
legal for street use	NO	

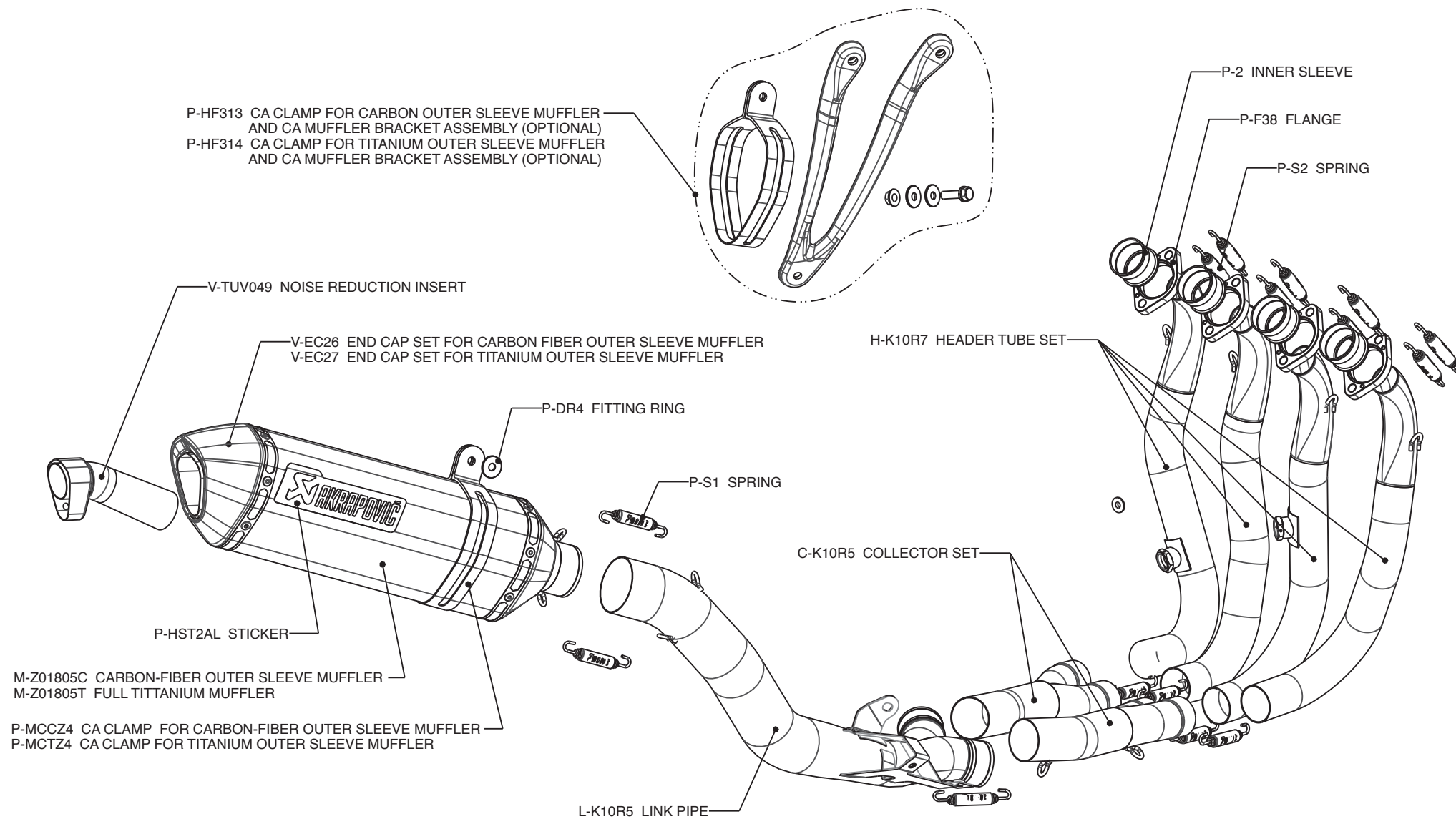
Technical specifications of Akrapovic exhaust systems and related products subject to change without notice.

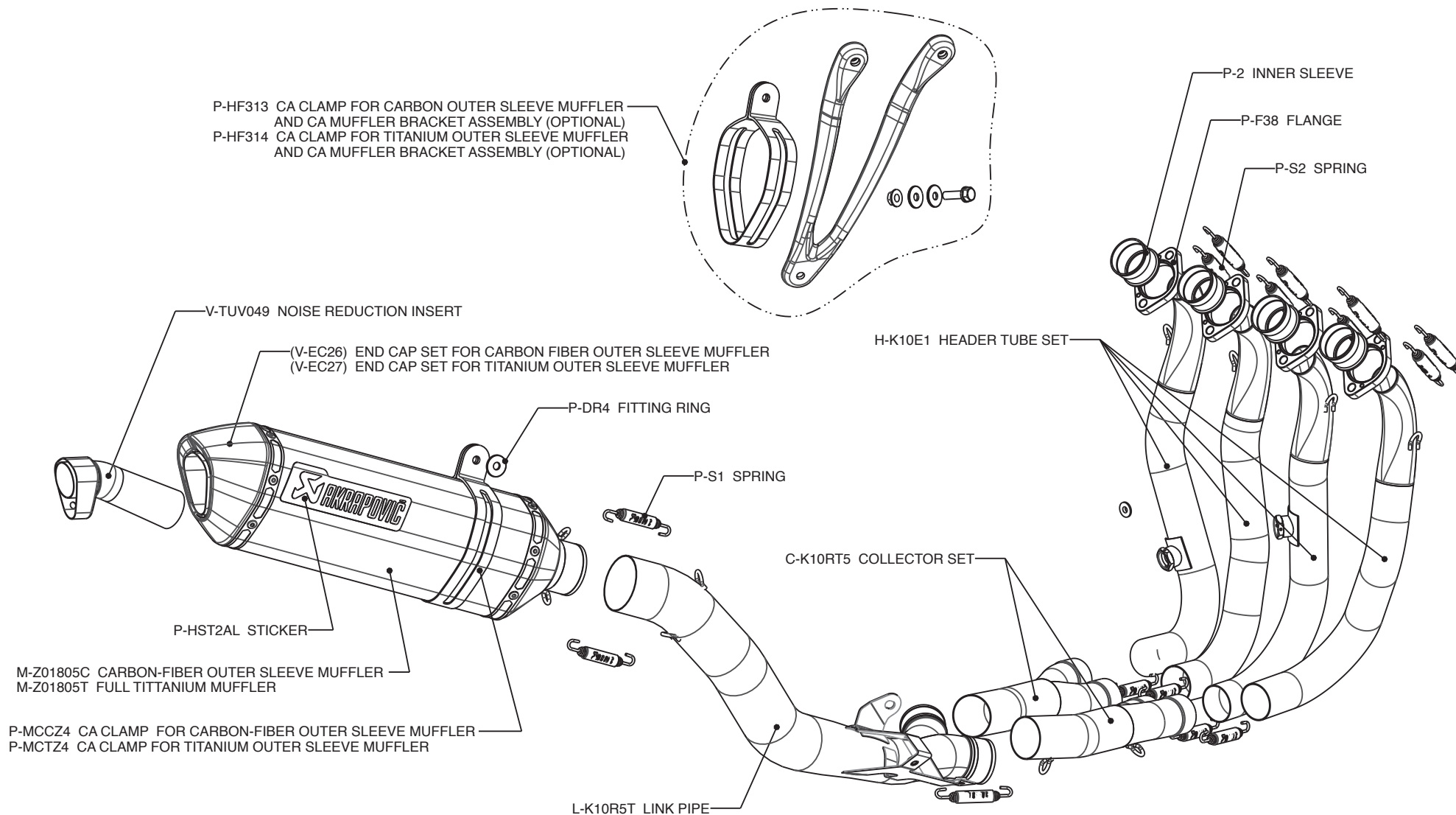
Product code: (111877) S-K10R7-ZC ; (111876) S-K10R7-ZT racing
(111887) S-K10E1-ZC ; (111886) S-K10E1-ZT evolution

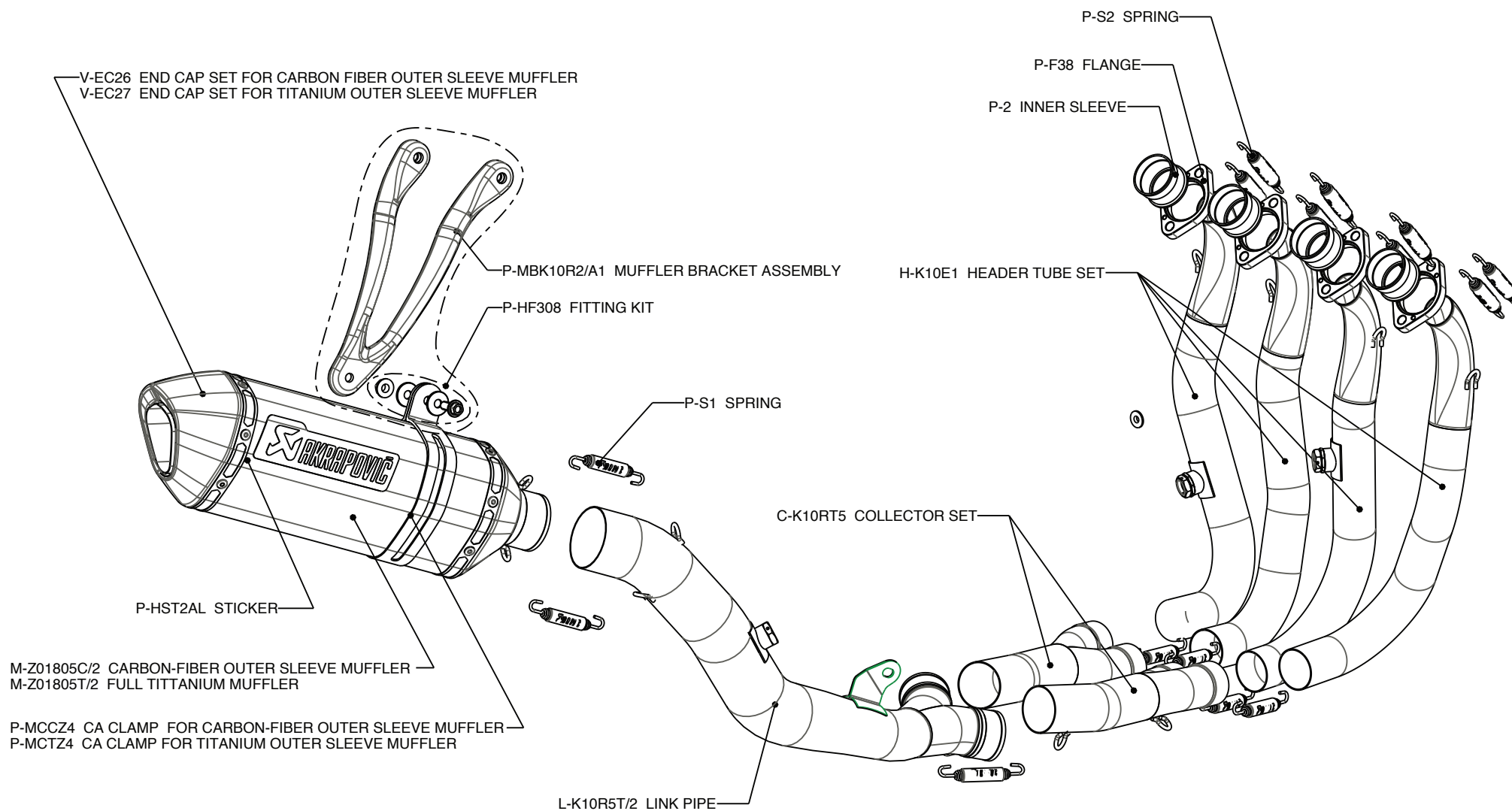
(111889) S-K10E1-ZC/2 ; (111888) S-K10E1-ZT/2 Evolution line KIT2

(111880) S-K10R7-ZC/1 ; (111879) S-K10R7-ZT/1 Racing headers + street legal muffler
(111891) S-K10E1-ZC/1 ; (111890) S-K10E1-ZT/1 Evolution headers + street legal muffler







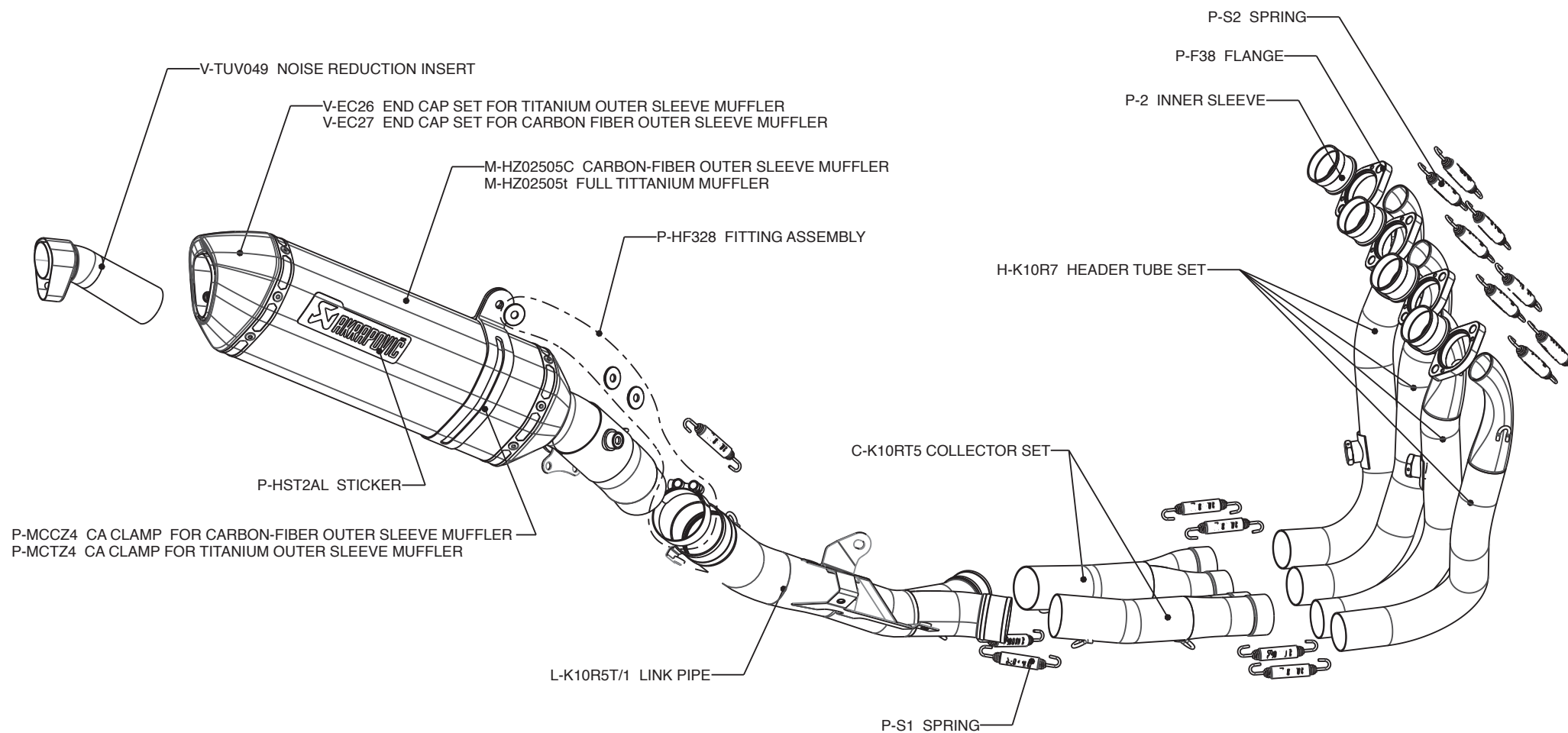


Product code: (111889) S-K10E1-ZC/2 ; (111888) S-K10E1-ZT/2 Evolution line KIT2



www.akrapovic.com

Akrapović d.d. 2009 all rights reserved
 16.12.2009



RACING LINE tube set and a street legal SLIP-ON muffler.

Warning! This combination is not homologated!

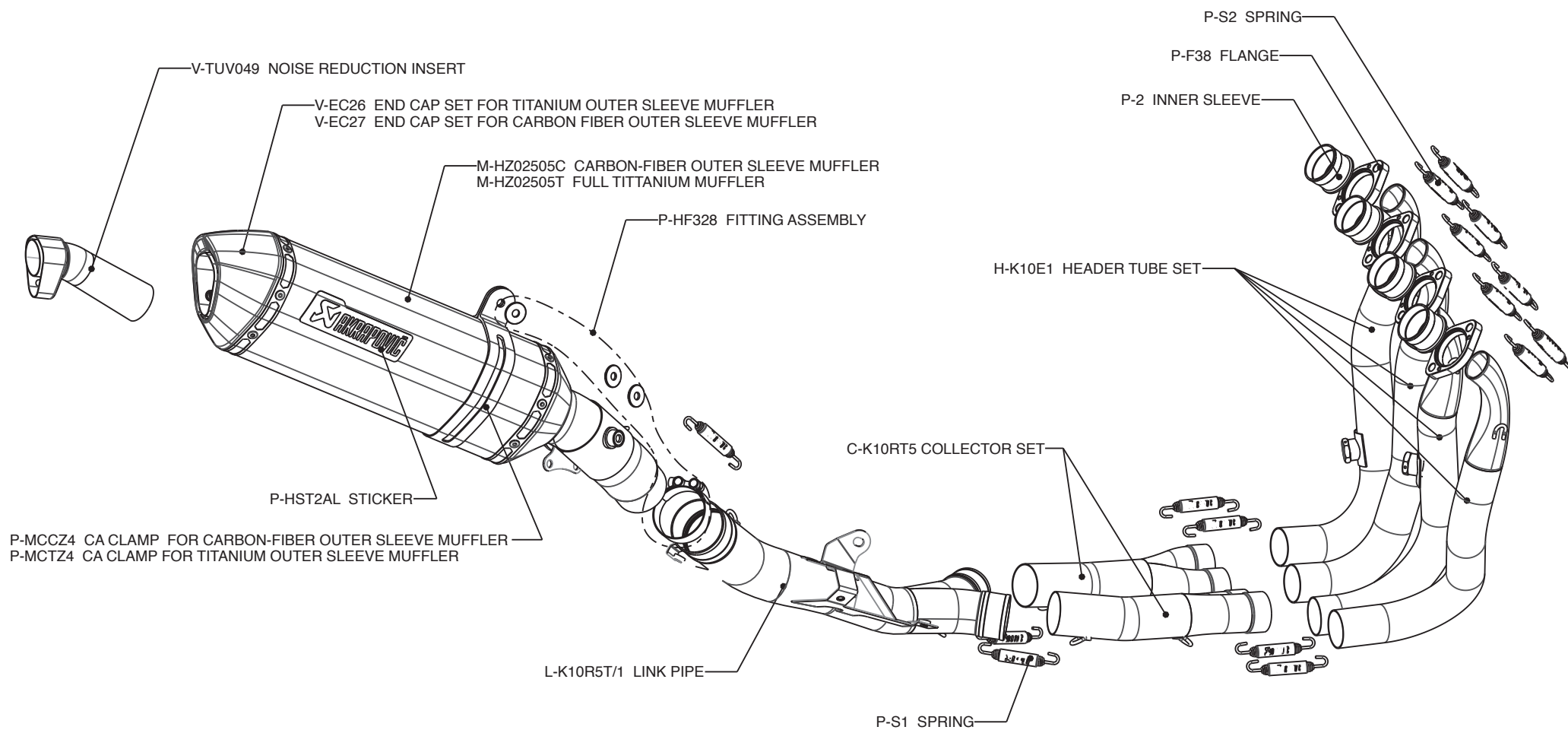
Product code: (111880) S-K10R7-ZC/1 ; (111879) S-K10R7-ZT/1 Racing headers + street legal muffler



www.akrapovic.com

Akrapović d.d. 2009 all rights reserved

16.12.2009



EVOLUTION LINE tube set and a street legal SLIP-ON muffler.

Warning! This combination is not homologated!

Product code: (111891) S-K10E1-ZC/1 ; (111890) S-K10E1-ZT/1 Evolution headers + street legal muffler