



KAWASAKI 250R NINJA (2008 - 2009)

SLIP-ON EXHAUST SYSTEM

The dynamic superbike with just 250 cc of engine capacity offers a great tuning platform for motorcyclists who desire something special. Our sporty and light-weight SLIP-ON systems offer a great balance between price and performance and represent the first step in the exhaust system tuning process.

The hexagonal muffler outer sleeve is made of titanium or carbon-fiber, which gives a special hi-tech touch to our SLIP-ON system. We offer open slip-on exhaust system only that also features removable noise damper.

PERFORMANCE

Measurements of the Akrapovic SLIP-ON OPEN system on the KAWASAKI Ninja 250R (without muffler insert):

Power & Torque: the exhaust system modification with the SLIP-ON OPEN system results in performance increase, delivering a 27.6 HP at 11200 rpm on back wheel.. But the increased power isn't available just at the top of the range; the system shows its quality already from 4000 rpm up through entire rpm range. Max. increased power between the Akrapovic and the stock system is 1.1 HP at 12200 rpm. Besides this, the torque is higher in a lower rpm area at 3000 rpm and from middle to high rpm area.



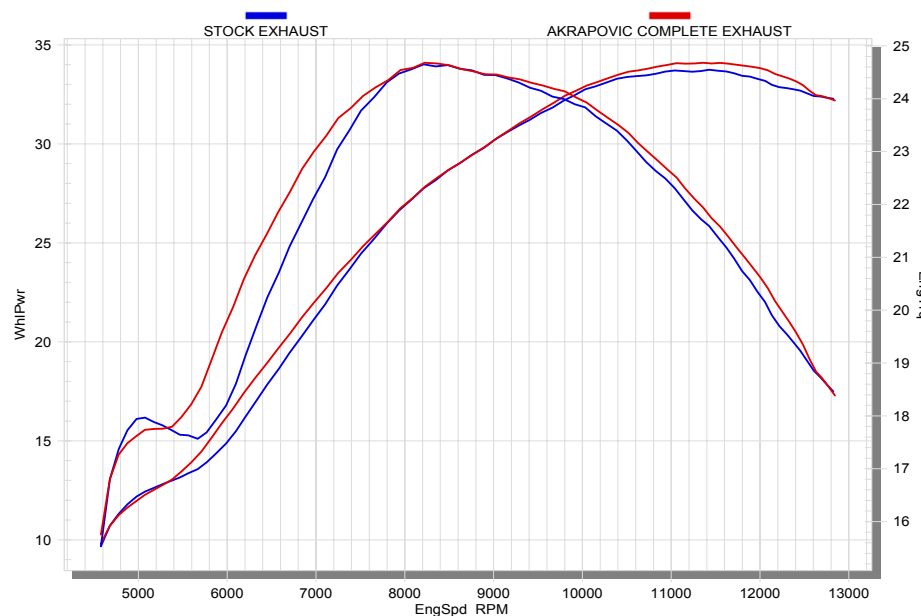
PERFORMANCE			
	stock	AKRAPOVIC	max. increased power
max. rear wheel power HP / rpm <small>(measured on SuperFlow Cycle Dyn)</small>	27.1 / 11200	27.6 / 11200	1.1 / 12200

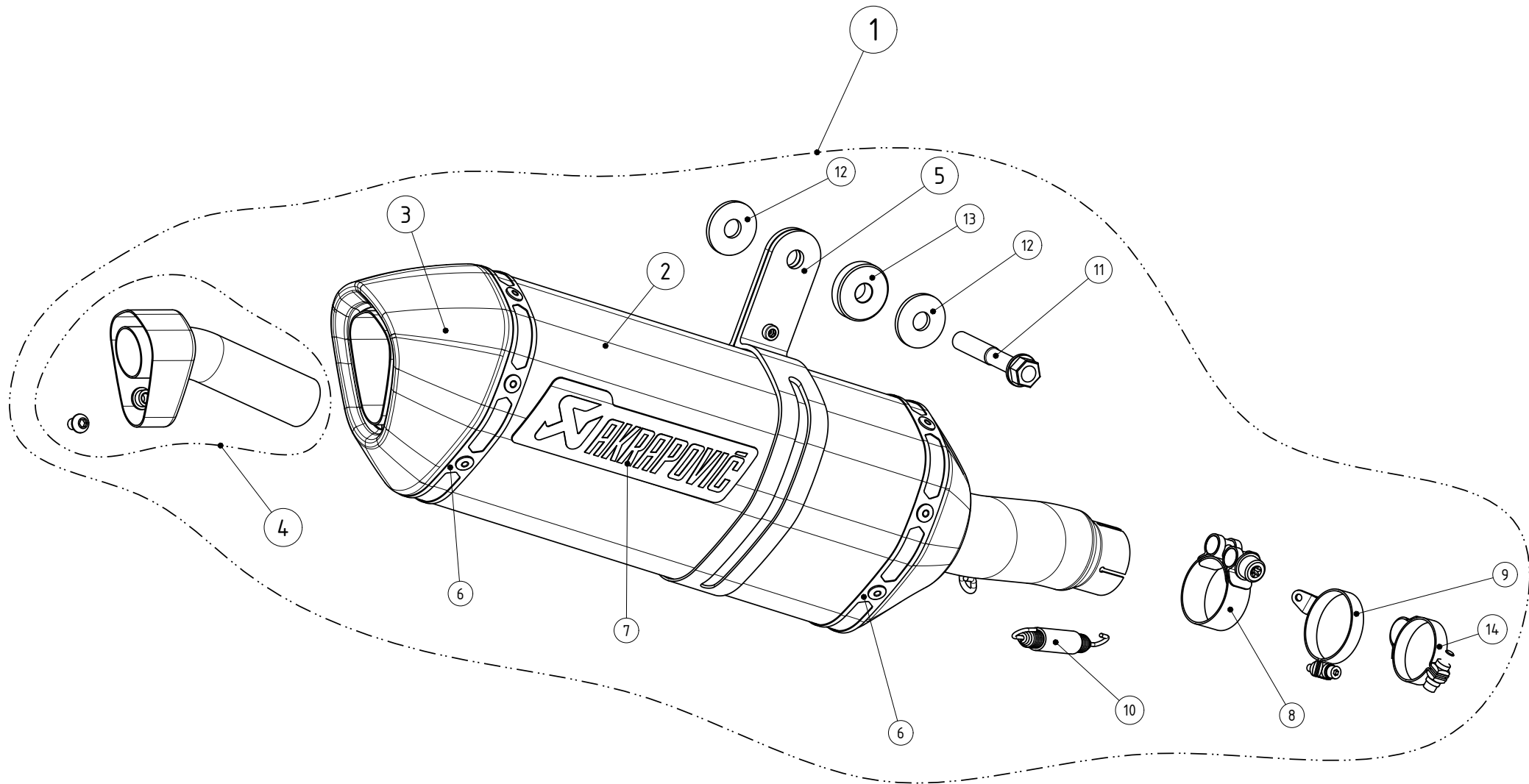
ADDITIONAL DATA					
weight comparison (kg)	stock	AKRAPOVIC		difference	
	4.8	SS link pipe	TITANIUM link pipe	stock - S.S.	stock - TITANIUM
		1.57	-	3.23	-

noise measurements (dB / rpm)	stock	AKRAPOVIC
		87 / 5500
legal for street use	NO	

Technical specifications of Akrapovic exhaust systems and related products subject to change without notice.

Product code: (111509) S-K2SO5-ZC, (111508) S-K2SO5-ZT

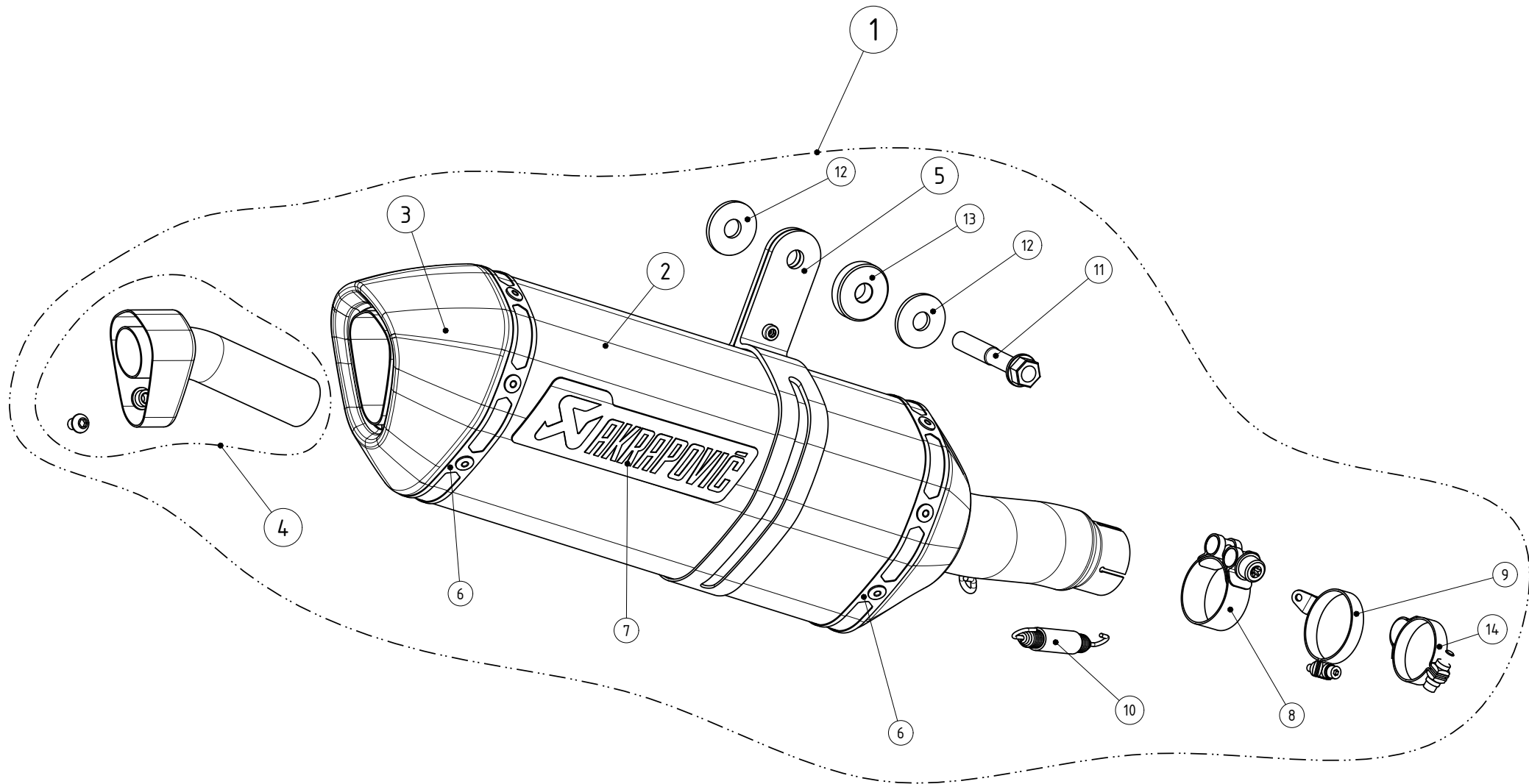




MUFFLER REPAIR KITS	
REPACK	15
SLEEVE	16

REVIZIJA:	DATUM REVIZIJE:
1	28.2.2013

No.	SALES CODE	DESCRIPTION	QTY.
1	S-K3SO1-HZC	slip on system	1
2	M-HZ05802C	muffler CA	1
3	V-EC121	end cap CA	1
4	V-TUV105	insert SS	1
5	P-MCTZ37	muffler clamp CA	1
6	P-TT18	belt TI for TI sleeve	2
7	P-HST6AL	sticker	1
8	P-R91	clamp SS	1
9	P-R87R	clamp SS - Kawasaki Ninja 300	1
10	P-S2	spring	1
11	P-FB78	bolt	1
12	P-DR64	washer SS	2
13	P-DR45	spacer bushe AL	1
14	P-R26	clamp SS - Kawasaki Ninja 250R 2013	1
15	P-RPCK108	muffler repack kit	1
16	P-RKS404ZC30	muffler sleeve kit	1



MUFFLER REPAIR KITS	
REPACK	15
SLEEVE	16

REVIZIJA:	DATUM REVIZIJE:
1	28.2.2013

No.	SALES CODE	DESCRIPTION	QTY.
1	S-K3SO1-HZT	slip on system	1
2	M-HZ05802T	Şmuffler TI	1
3	V-EC121	end cap CA	1
4	V-TUV105	insert SS	1
5	P-MCTZ37	muffler clamp CA	1
6	P-TT18	belt TI for TI sleeve	2
7	P-HST6AL	sticker	1
8	P-R91	clamp SS	1
9	P-R87R	clamp SS - Kawasaki Ninja 300	1
10	P-S2	spring	1
11	P-FB78	bolt	1
12	P-DR64	washer SS	2
13	P-DR45	spacer bushe AL	1
14	P-R26	clamp SS - Kawasaki Ninja 250R 2013	1
15	P-RPCK108	muffler repack kit	1
16	P-RKS403ZT30	muffler sleeve kit	1