

AKRAPOVIČ RACING EXHAUST SYSTEM HONDA VTR SP2 (2002) INSTALLATION INSTRUCTIONS



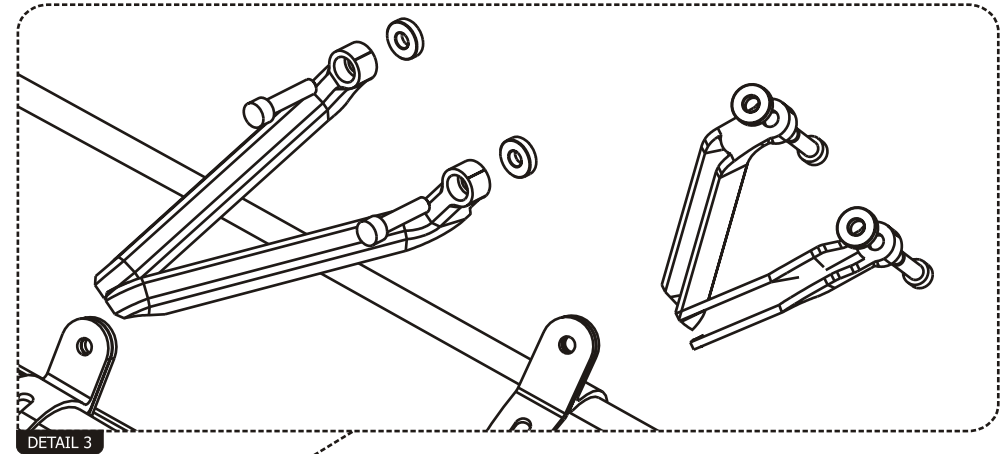
350010

1. Installation of heart-shaped milled inner sleeves / SEE DETAIL 1

- Remove the entire stock exhaust system
- When mounting the heart-shaped Akrapovič inner sleeves, make sure that the shape of the exhaust port and the interior profile of the sleeve match. First tighten the flange so that the Akrapovič inner sleeve can still be turned by hand, and then adjust the inner sleeve to the particular shape of the exhaust port.
- When the exhaust port and the inner sleeve match, tighten the flange firmly in that position.
- Continue with the installation of the rest of the parts of the Akrapovič exhaust system.

2. Installation of the manifold / SEE DETAIL 2

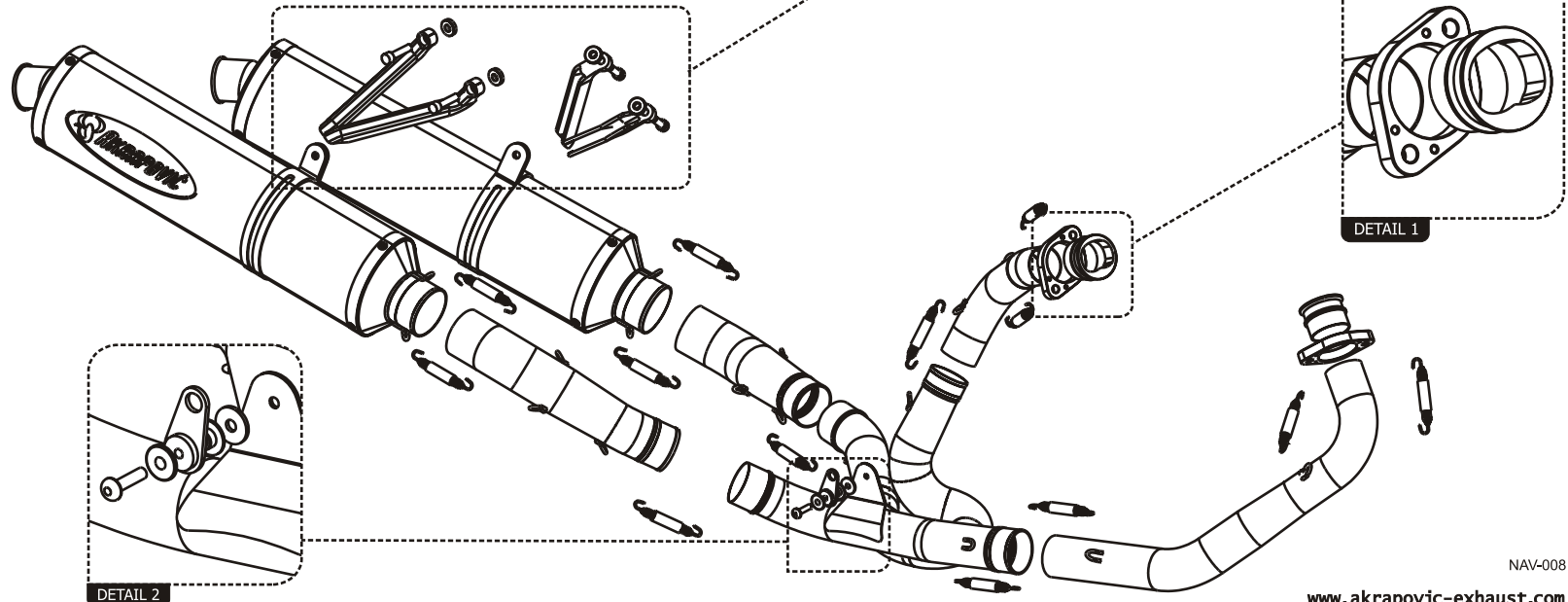
- Review the enclosed schematic!
- Remove nut M10, which is located on the frame of the motorcycle just above the double bracket on the manifold of the Akrapovič exhaust system.
- Mount the Akrapovič manifold onto bolt M 10 from which you removed the nut match the hole in the double bracket with bolt M 10 on the frame of the motorcycle.
- Attach nut M10 back in its original position (we recommend the use of a compound to prevent unseating).
- Continue with the installation of the rest of the parts of the Akrapovič exhaust system.



3. Installation of the mufflers

/ SEE DETAIL 3

- Remove the plastic seat platform so that you have access to the bolts which hold the brackets for the passenger foot-pegs; these will have to be remounted with spacers.
- Remove all four bolts (2x left, 2x right)
- Place enclosed 5 mm aluminum spacers on both sides.
- Attach the brackets and the spacers with the enclosed longer bolts M8x30 (we recommend the use of a compound to prevent unseating).
- Reattach the plastic seat platform.



WARNING:

Please note that certain aftermarket exhaust systems may not comply with applicable California laws and regulations, and may therefore be prohibited for use on California highways or roads, or on roads or vehicles otherwise subject to emissions control requirements.

Akrapovič exhaust systems for automobiles and motorcycles mounted downstream of the catalytic converter (also known as “cat-back systems”) are considered “replacement parts” in California by the California Air Resources Board (CARB), and do not require an exemption or executive order from CARB to be sold in California. However, California prohibits the use of any aftermarket exhaust system that modifies, removes or replaces original equipment catalysts, unless CARB has issued an Executive Order as to such part or system.

Further, Akrapovič parts or exhaust systems used or intended for use on “racing vehicles” (i.e. a competition vehicle used exclusively for competition on closed-course circuits) do not require an exemption or Executive Order from CARB to be sold in California. However, such parts are prohibited from use on California public highways or roads, even if occasionally used “off-road.”