



**AKRAPOVIC RACING & EVOLUTION,
RACING & EVOLUTION STREET LEGAL EXHAUST SYSTEM
for the
YAMAHA YZF R1 (2004 - 2006)**

Congratulations on purchasing an Akrapovic exhaust system. Please read these installation instructions carefully. If you have any trouble installing the system please contact your authorized dealer!

IMPORTANT INFORMATION

Exclusion of Certain Liability

1. The manufacturer, importer or dealer shall not be liable for any incidental damage including personal injury or any other damages caused by improper installation or operation of the Akrapovic exhaust system. When installing the Akrapovic exhaust system be careful that the exhaust system does not touch other parts sensitive to high temperature.
2. Akrapovic makes no representation or warranties with regard to damage caused by the improper installation, use and maintenance of the Akrapovic exhaust system. The warranty is limited to defects recognized by our technical department and to normal use, and excludes items subject to normal wear (gaskets and damping wool). The guarantee is void in case of accident, modification, improper or competition use.
3. Do not attempt to install the Akrapovic exhaust system on a motorcycle for which it was not made or tested by Akrapovic.
4. When the exhaust system gets very hot during operation, be careful not to burn yourself on the exhaust system or parts which are in direct contact with it, even when the motor is not running. Also protect other people, especially children, from the injuries mentioned above.
5. In some cases Akrapovic exhaust system kits contain chemical products (ceramic anti-seizing grease; bolt sealant). Handle with care, do not inhale or swallow. Avoid excessive contact with skin, eyes or mucous membranes. Keep out of reach of children.
6. Technical specifications of Akrapovic exhaust systems and related products subject to change without notice.

Trademarks

The Akrapovic Exhaust System Technology logo is a registered trademark of Akrapovic d.d.

Akrapovic website

Information about Akrapovic exhaust systems and related products is available on the Akrapovic website at:
<http://www.akrapovic.com/>

Copyright

No part of the Akrapovic exhaust system or its documentation may be reproduced or distributed in any form or by any means without the prior written authorization of the Akrapovic company.


© Akrapovic, d.d. All rights reserved.


Symbols

The following symbols are used throughout these installation instructions:




INSTALLATION INSTRUCTIONS

 **BEFORE INSTALLING CHECK SCHEMATIC OF THE EXHAUST SYSTEM!**

 **IF ANY ITEMS IN THE AKRAPOVIC EXHAUST SYSTEM PACKAGE ARE MISSING PLEASE CONTACT YOUR AUTHORIZED DEALER. KEEP THE SCHEMATIC FOR FUTURE REFERENCE.**

 **THESE INSTALLATION INSTRUCTIONS MUST BE READ CAREFULLY IN ORDER TO ENSURE PROPER INSTALLATION AND OPERATION OF THE AKRAPOVIC EXHAUST SYSTEM.**

 **THE EXHAUST SYSTEM CAN BE EXTREMELY HOT. ALLOW THE MOTORCYCLE TO COOL DOWN BEFORE BEGINNING INSTALLATION.**

 **WE ADVISE YOU TO LEAVE INSTALLATION TO A QUALIFIED SERVICEMAN. IMPROPER INSTALLATION MAY RESULT IN A SHORTER LIFETIME OF THE EXHAUST SYSTEM AND/OR DAMAGE TO THE MOTORCYCLE.**

REMOVAL OF STOCK EXHAUST SYSTEM

1. put the motorcycle on a side stand, we recommend a racing stand
2. unlock and remove the rear passengers seat (**Figure 1**)
3. unscrew the bolts from the drivers seat and remove the seat (**Figure 2**)
4. unscrew the bolts from the fastback and remove the fastback (**Figure 3, 4, 5**)
5. unscrew the bolts from the plastic cover of the muffler hanging bracket and remove the cover (**Figure 6**)
6. unscrew the bolt from the link pipe metal clamp (muffler – link pipe connection) (**Figure 7**), the bolt from the muffler hanging bracket and remove the muffler; perform the process on both sides of the motorcycle (**Figure 8, 9**)
7. unscrew the bolts from the heat shield and remove the heat shield (**Figure 10, 11**)
8. unscrew the bolt from the Y link pipe metal clamp (Y link pipe - collector connection) (**Figure 12**)
9. unscrew the bolt from the rear brake fluid cup bracket and move the cup away; the cup does not have to be disconnected (**Figure 13**)
10. unscrew the bolt from the Y link pipe metal bracket and remove the Y link pipe (**Figure 14, 15**)
11. remove the lower part of the cowling (**Figure 16, 17, 18**)
12. remove the bolts from the flanges on the stock header tubes (**Figure 19**); make sure not to damage the cooling fins
13. unscrew the bolt from the cowling hanging bracket and remove the bracket (**Figure 20, 21**)
14. unscrew the bolt from the servo motor bracket (from the left side of the motorcycle) (**Figure 22**)
15. remove the cover from the servo motor (**Figure 23, 24**)
16. remove the cover from the “exup” gas valve (**Figure 25**) and remove the cables from the “exup” gas valve (**Figure 26**) and servo motor (**Figure 27**)
17. replace the covers (“exup” gas valve and servo motor), the servo motor and the cowling hanging bracket (**Figure 28, 29, 30, 31**)
18. unscrew the bolt from the collector / header tubes hanging bracket and remove the collector / header tubes; make sure not to damage the cooling fins (**Figure 32, 33**)

INSTALLATION OF THE AKRAPOVIC RACING OR EVOLUTION EXHAUST SYSTEM

installing the header tubes (collector):

1. set up the sleeves together with the flanges and springs – make sure they are correctly oriented and that the holes for attaching the springs line up with the loops on the header tubes; make sure not to damage the cooling fins (**Figure 34, 35**)
2. tighten the flanges; make sure not to damage the cooling fins
3. insert the header tubes; make sure not to damage the cooling fins (**Figure 36**)
4. attach the springs
5. make sure the header tubes are not touching the engine, water cooler, other tubes, electrical installations etc.

installing the independent link pipe:

1. unscrew the bolt from the Y link pipe hanging bracket and turn the bracket from the right mounting side to the left mounting side (**Figure 37, 38, 39**)
2. make sure the Y link pipe is correctly oriented; slide the Y link pipe onto the collector (**Figure 40**)
3. attach the springs on the Y link pipe (Y link pipe - collector) (**Figure 41**)
4. fasten the Y link pipe to the lower (**Figure 42**) and upper hanging bracket (**Figure 43, 44**)
5. make sure the Y link pipe is not touching the engine or frame of the motorcycle

installing the muffler:

1. correctly position the carbon-fiber clamp and slide it onto the muffler. **WARNING:** open the clamp to slightly wider than the diameter of the outer sleeve of the muffler – do not scrape it along the muffler outer sleeve! (**Figure 45**)
2. position the muffler correctly and slide it onto the outlet side of the Y link pipe (**Figure 46**)
3. position and attach the spring
4. perform the process on both sides of the motorcycle
5. tighten the carbon-fiber clamp onto the stock chassis hanging bracket on the frame (**Figure 47**)
6. make sure the mufflers are not touching other parts of the motorcycle
7. position of the installed Akrapovic Evolution system (**Figure 55**)

final installation:

1. reattach the fastback and both seats
2. tighten the bolts on all of the brackets and clamps to which the exhaust system and the other dismantled parts of the motorcycle are attached (**Figure 48, 49, 50, 51, 52, 53**)
3. clean grease spots:
 - a. muffler – titanium outer sleeve: use a soft cloth sprayed with a multi-purpose spray lubricant (WD-40 or equivalent)
 - b. muffler – carbon-fiber outer sleeve: use a soft dry cloth
 - c. muffler – carbon-fiber outlet cap: use a soft dry cloth
 - d. titanium link pipes (muffler): use a soft cloth sprayed with a multi-purpose spray lubricant (WD-40 or equivalent)
 - e. stainless steel Y link pipe: use a soft cloth sprayed with a contact cleaner, then wipe with a soft dry cloth
 - f. titanium header tubes + collector : use a soft cloth sprayed with a multi-purpose spray lubricant (WD-40 or equivalent)
 - g. stainless steel header tubes + collector :use a soft cloth sprayed with a contact cleaner, then wipe with a soft dry cloth

Cleaning will prevent spots from burning onto the surface. Do not use aggressive chemical cleaners, because they can damage the sticker.

4. replace all of the dismantled stock parts and cowlings in the reverse order from the order in which they were removed (**Figure 54**)

Check the operation of the brakes and suspension. Make sure all the bolts are sufficiently tightened. In case the exhaust system touches the cowling or other parts repeat the adjustment of the exhaust system or contact your authorized dealer.

! IT IS NORMAL IF WHITE SMOKE COMES OUT OF THE MUFFLER ON FIRST OPERATION.

! DO NOT STAND BEHIND THE MUFFLER ON FIRST OPERATION.

! DO NOT USE AUTOMOTIVE WHEEL CLEANERS OR ANY CLEANING PRODUCTS WHICH CONTAIN ACIDIC ADDITIVES TO CLEAN AKRAPOVIC EXHAUST SYSTEMS.

MAINTENANCE OF THE AKRAPOVIC EXHAUST SYSTEM

1. Clean the titanium muffler outer sleeve with a multi-purpose spray lubricant (WD-40 or equivalent) and carbon fiber outer sleeve with soft and dry cloth. Do not use aggressive chemical cleaners, because they can damage the sticker. A change in the color of the exhaust system is normal due to the high temperatures.
2. The wearing out of the muffler silencing material depends on the type of the motor and riding style. Contact your dealer/serviceman if visible changes appear on muffler's outer sleeve or the noise level is increased.
3. Periodically ensure that all the bolts and springs are sufficiently tight.

Photos:



Figure 1



Figure 2



Figure 3



Figure 4



Figure 5

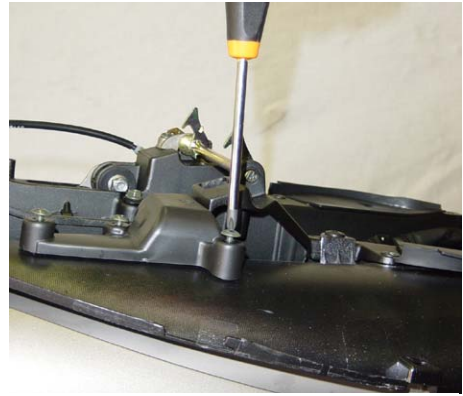


Figure 6



Figure 7

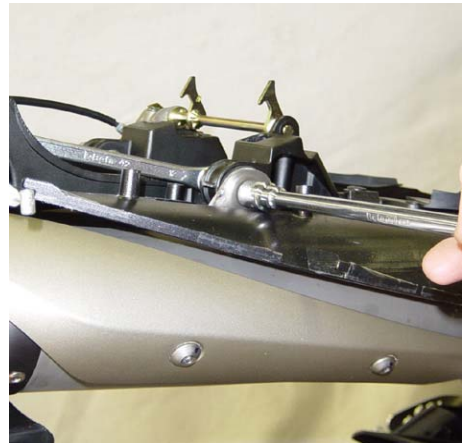


Figure 8



Figure 9



Figure 10



Figure 11



Figure 12

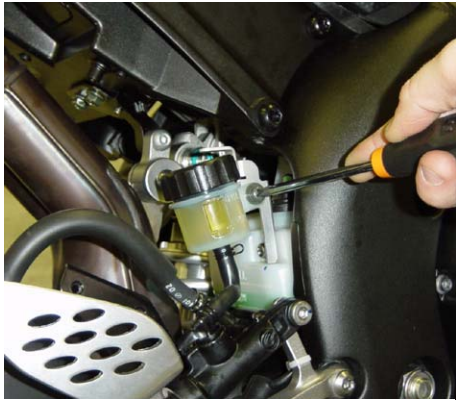


Figure 13



Figure 14



Figure 15



Figure 16



Figure 17

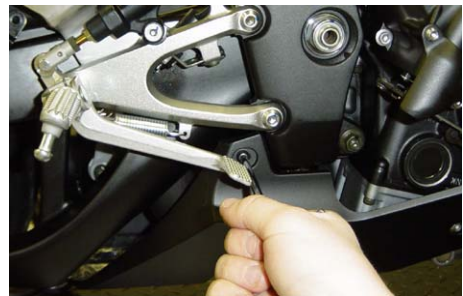


Figure 18



Figure 19

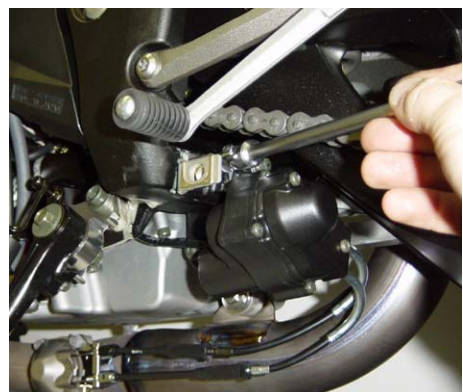


Figure 20



Figure 21



Figure 22

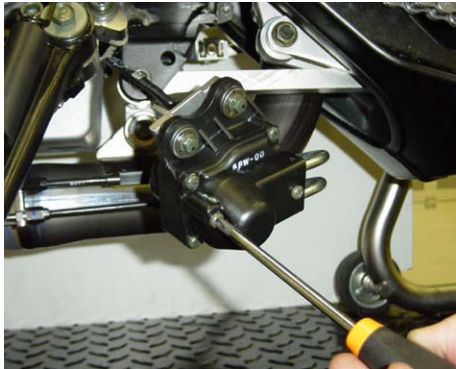


Figure 23



Figure 24



Figure 25



Figure 26



Figure 27



Figure 28



Figure 29

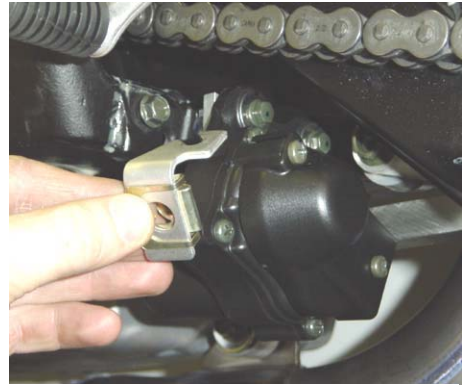


Figure 30



Figure 31



Figure 32



Figure 33



Figure 34



Figure 35



Figure 36



Figure 37



Figure 38



Figure 39



Figure 40



Figure 41



Figure 42



Figure 43



Figure 44



Figure 45



Figure 46



Figure 47



Figure 48



Figure 49



Figure 50



Figure 51



Figure 52

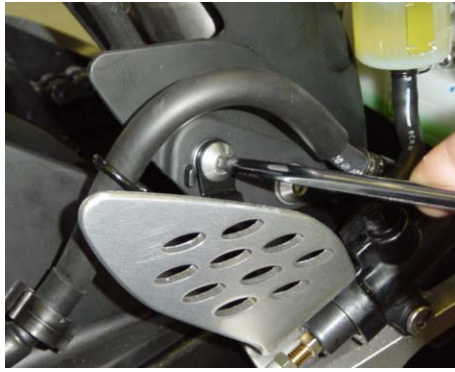


Figure 53



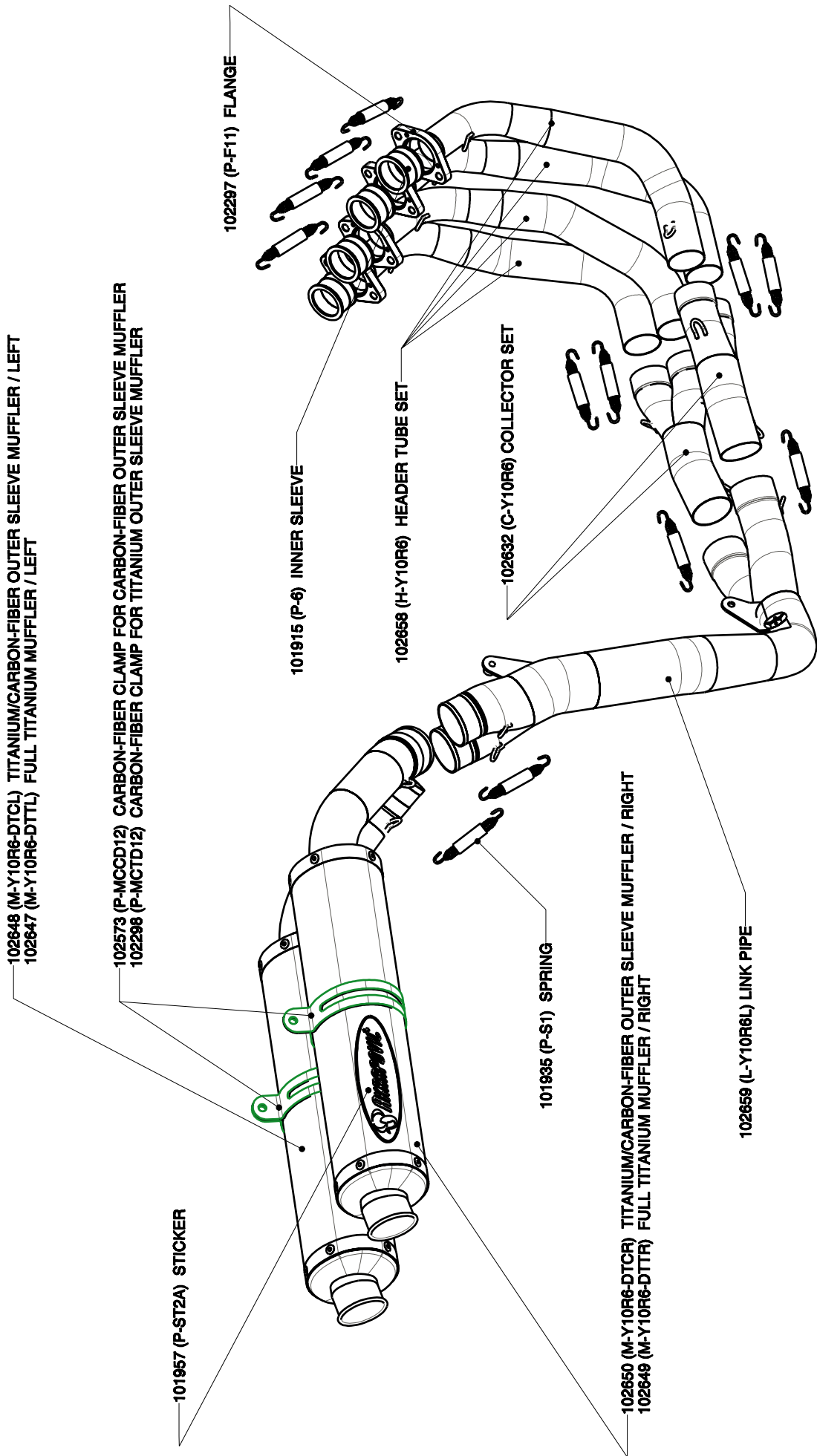
Figure 54



Figure 55

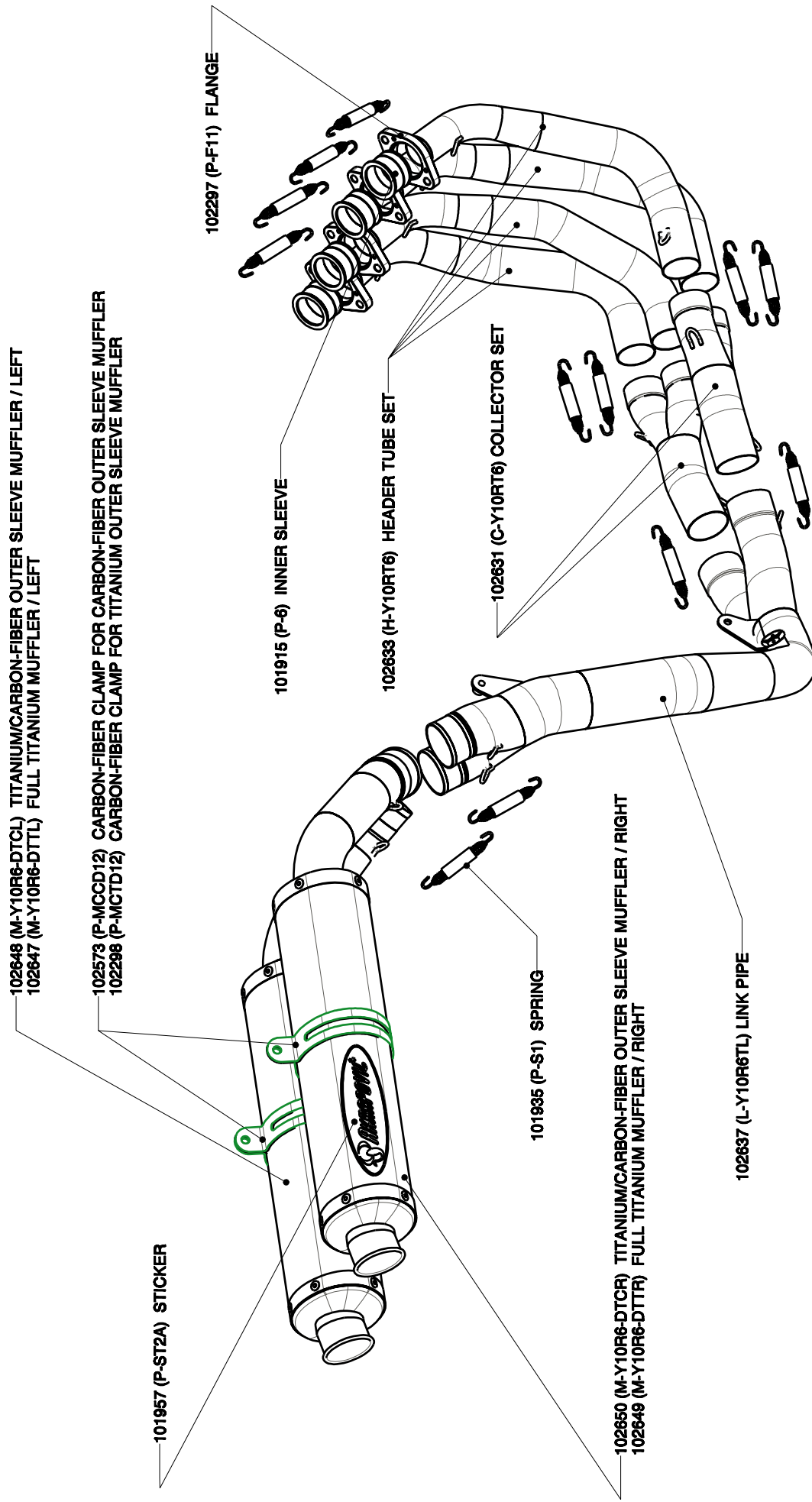
YAMAHA YZF 1000 R1 Complete exhaust system/Racing line, model year: 2004-2006

**Product code: 102595 (S-Y10R6L-DTC)
102598 (S-Y10R6L-DTT)**



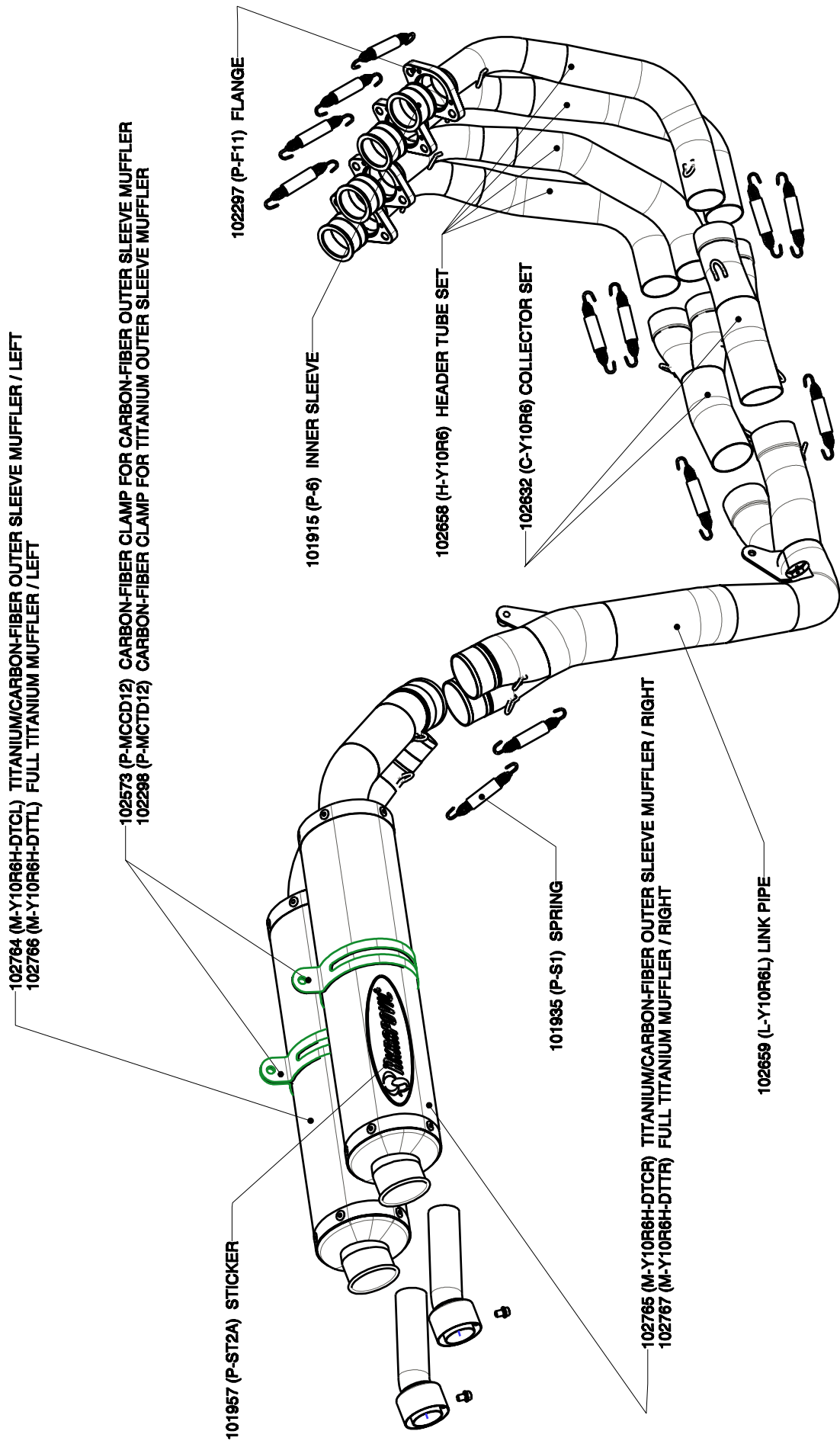
YAMAHA YZF 1000 R1 Complete exhaust system/Evolution line, model year: 2004-2006

**Product code: 102592 (S-Y10RFT6TL-DTC)
102593 (S-Y10RFT6TL-DTT)**



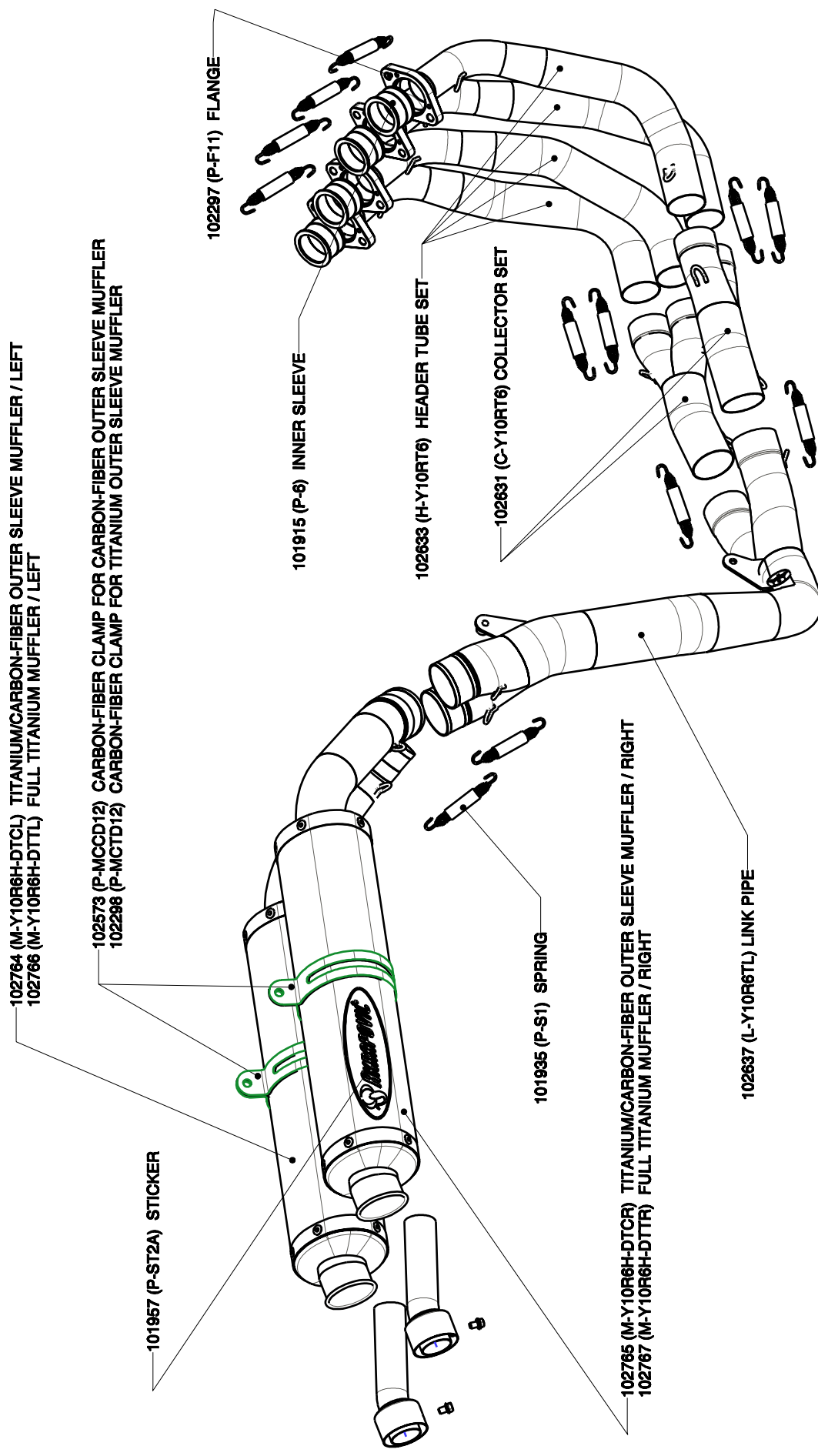
YAMAHA YZF 1000 R1 Homologated/Complete exhaust system/Racing line, model year: 2004-2006

**Product code: 102762 (S-Y10R6L-HDTC)
102763 (S-Y10R6L-HDTT)**



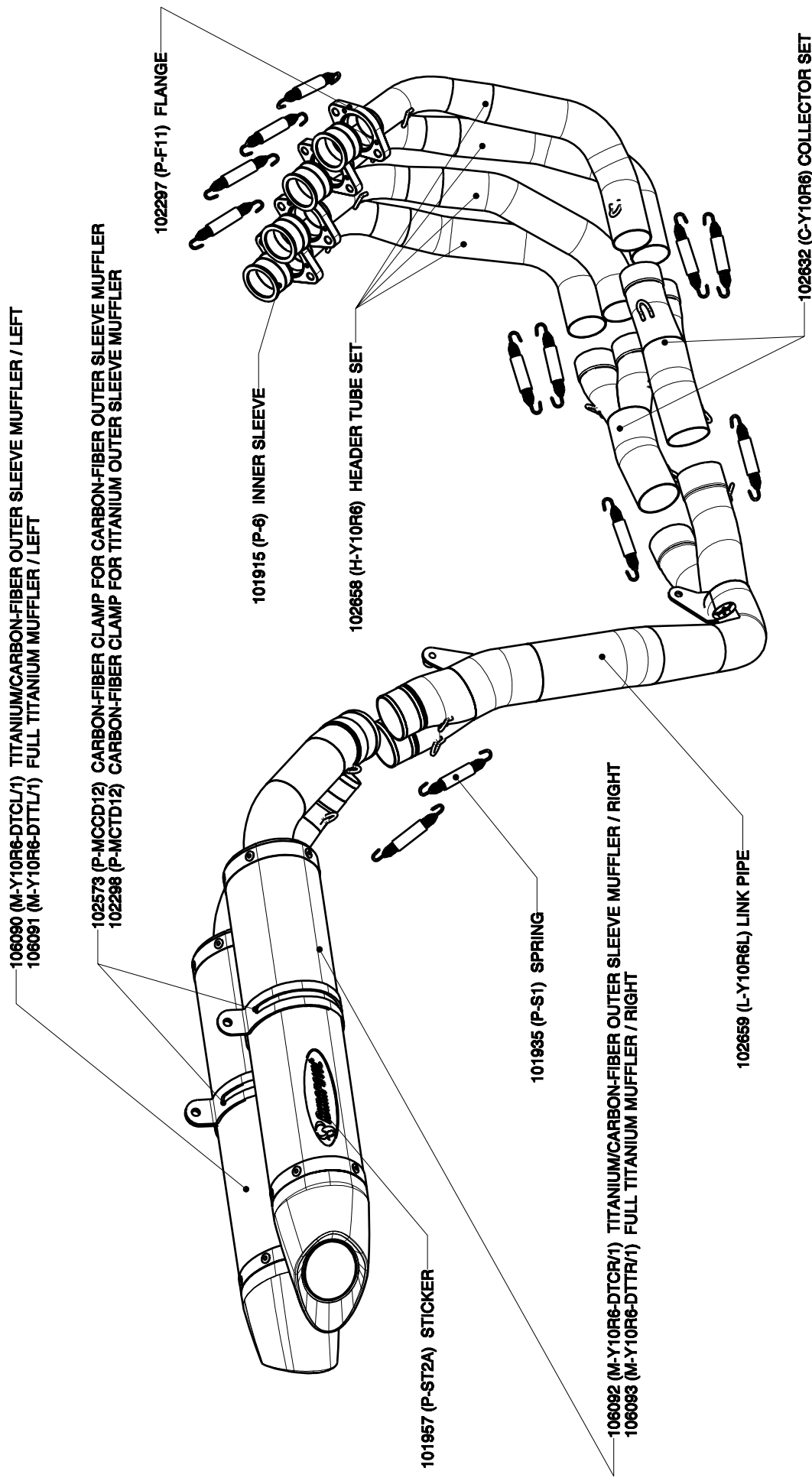
YAMAHA YZF 1000 R1 Homologated/Complete exhaust system/Evolution line, model year: 2004-2006

**Product code: 102768 (S-Y10RFT6TL-HDTC)
102769 (S-Y10RFT6TL-HDTT)**



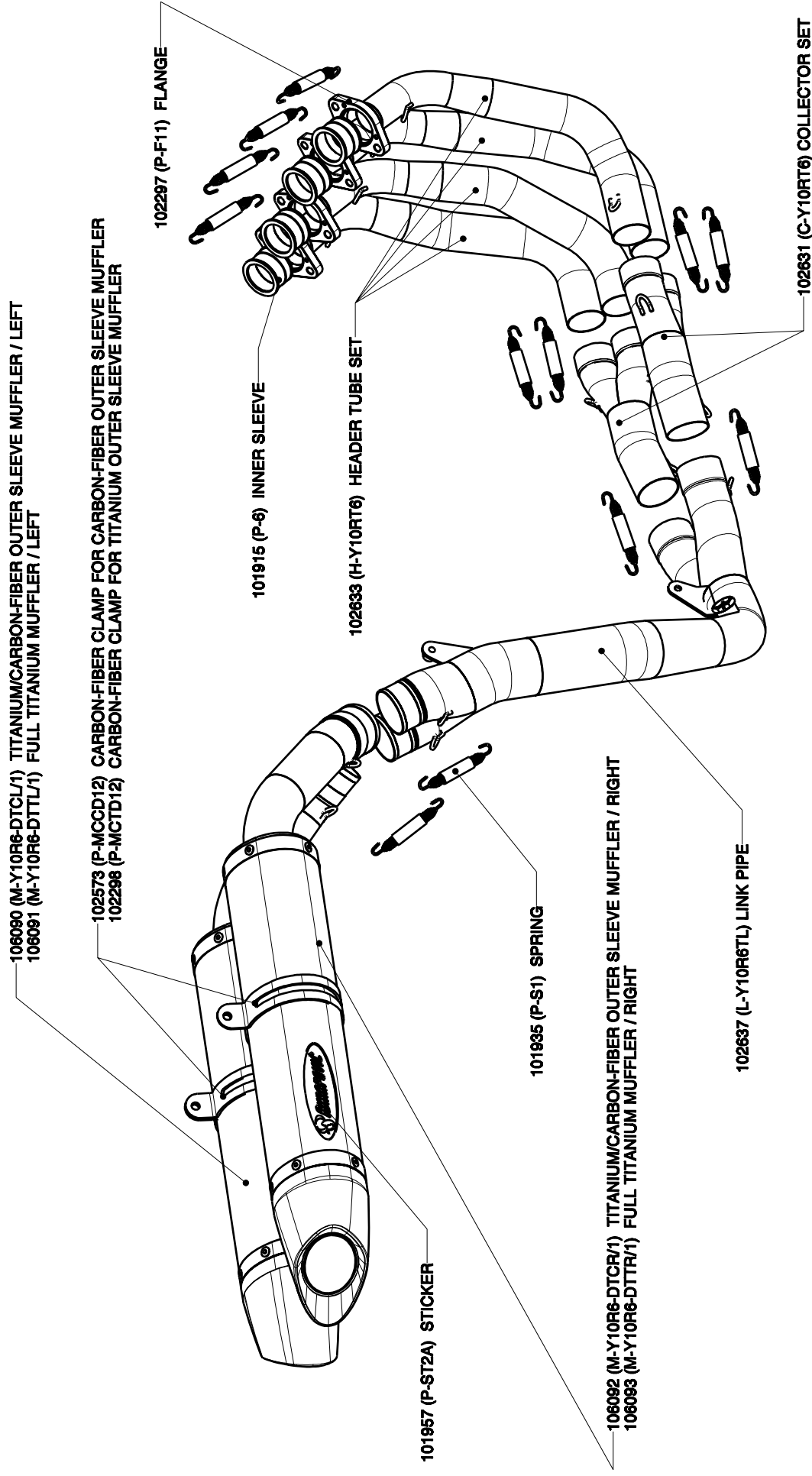
YAMAHA YZF 1000 R1 2004-2006 / RACING LINE

Product code: 106112 (S-Y10R6L-DTC/1)
106113 (S-Y10R6L-DTT/1)



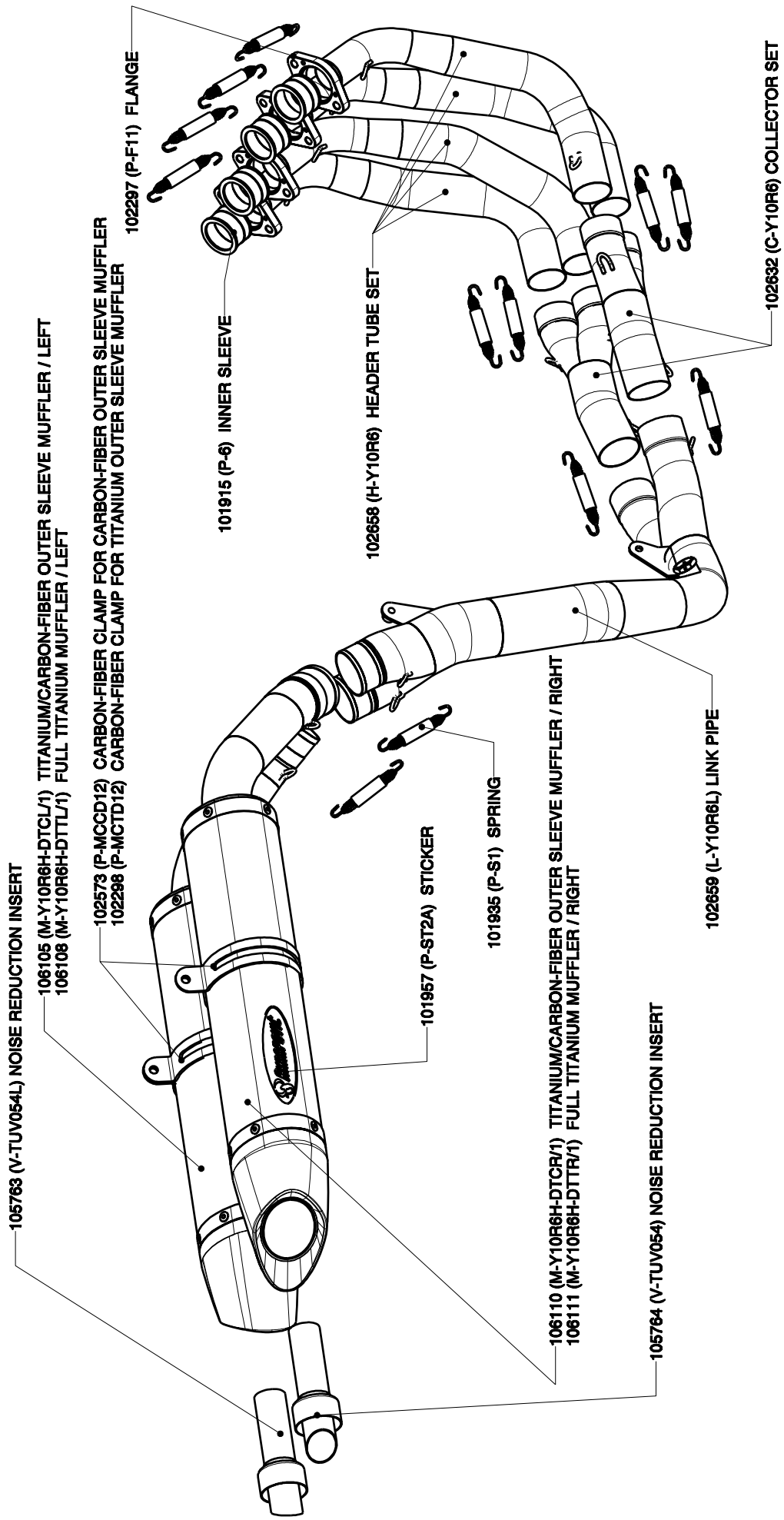
YAMAHA YZF 1000 R1 2004-2006 / EVOLUTION LINE

Product code: 106088 (S-Y10RFT6TL-DTC/1)
106089 (S-Y10RFT6TL-DTT/1)



YAMAHA YZF 1000 R1 2004-2006 / RACING LINE / STREET LEGAL

**Product code: 106115 (S-Y10R6L-HDTC/1)
106116 (S-Y10R6L-HDTR/1)**



YAMAHA YZF 1000 R1 2004-2006 / EVOLUTION LINE / STREET LEGAL

**Product code: 106102 (S-Y10RFT6TL-HDTC/1)
106104 (S-Y10RFT6TL-HDTT/1)**

