



Honda CBR 1000 RR (2004)

Slip-On Exhaust System

Akrapovic Slip-On Exhaust System

for the Honda CBR 1000 RR (2004)

The Akrapovic SLIP-ON exhaust system is intended for riders who don't require extreme performance, and don't want to make any major modifications to their stock exhaust configuration. The Akrapovic SLIP-ON system offers great looks and the renown of the Akrapovic name.

PERFORMANCE

Measurements of the Akrapovic SLIP-ON system on the HONDA CBR 1000 RR (without noise damper):

Power: the system doesn't offer a huge increase in power. If that's what you're looking for, check out our RACING and EVOLUTION complete exhaust systems. However, despite being just a first-level tuning component, the SLIP-ON does deliver increased power, which extends over the entire rpm range. At 11600 rpm the Honda receives 152.2 HP.

Torque: the torque gains are similar to the power curve. A slightly better result is obtained in the middle of the range at around 5000 rpm.

CONFIGURATION

The Akrapovic SLIP-ON exhaust system is composed of three basic elements: a muffler and two link pipes, one independent and one which is welded to the muffler. The tubes in both link pipes are cylindrical and made of titanium. The independent link pipe is connected to the stock header assembly with a free-floating joint secured with a metal clamp and a tensioning spring. The connection between the two link pipes is also secured with a silicon-shielded tensioning spring. The muffler is oval, and is available with either a carbon-fiber or titanium outer sleeve. It is secured to the bike in a flat position using an Akrapovic carbon-fiber clamp.

OPTIONS

The system is available with either a carbon-fiber or titanium muffler outer sleeve.

	PERFORMANCE		
	stock	AKRAPOVIC	max. increased power
max. rear wheel power HP / rpm (measured on SuperFlow Cycle Dyn)	151.1 / 11200	152.2 / 11600	3.3 / 11800

	CONFIGURATION			
	header tubes	collector	INDEPENDENT link pipe	link pipe
material	-	-	TITANIUM	TITANIUM
tube shape	-	-	CYLINDRICAL	CYLINDRICAL

interference crossover tubes	-	lambda sensor	-
header tube inner sleeves	-	header tube flanges	-
header tubes - collector connection	-	collector / header tube - link pipe connection	FREE-FLOATING + SILICON SHIELDED SPRING
link pipe - muffler connection	WELDED	muffler inlet cap / outlet cap	TITANIUM / TITANIUM
muffler metal interior	TITANIUM	muffler outer sleeve	TITANIUM / CARBON-FIBER
muffler clamp	CARBON-FIBER ROAD	muffler bracket	-
noise damper	-	heat shield	CARBON-FIBER

OPTIONS				
link pipe	noise damper	muffler outer sleeve	muffler bracket	heat shield
-	-	TITANIUM / CARBON-FIBER	-	-

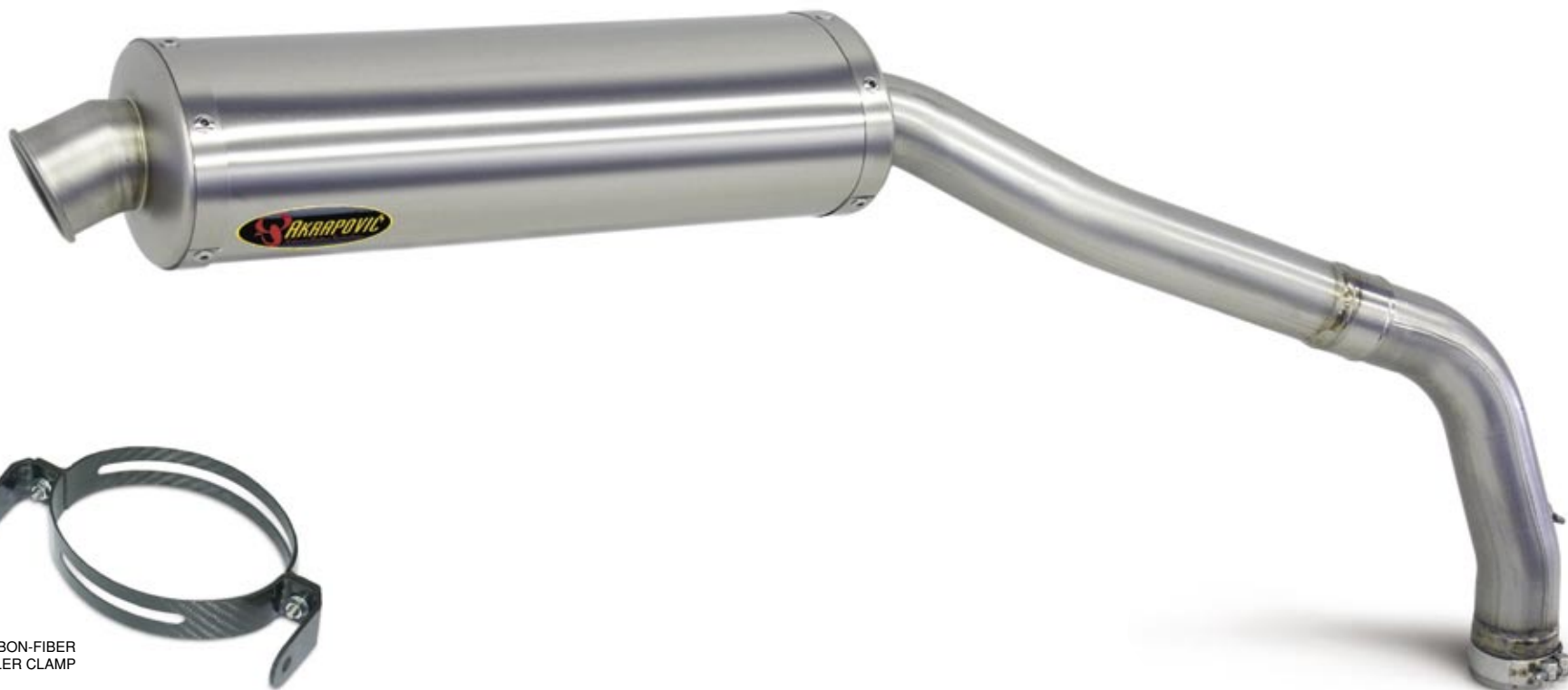
	ADDITIONAL DATA				
	stock	AKRAPOVIC		difference	
weight comparison (kg)	5.16	S.S. link pipe	TITANIUM link pipe	stock - S.S.	stock - titanium
		-	2.06	-	3.10
noise measurements (dB / rpm)	stock		AKRAPOVIC		
	93 / 5625		97.2 / 5625		
possibility of periodic service without removing A.E.S.	oil		oil filter		
	YES		YES		
legal for street use	NO				

Technical specifications of Akrapovic exhaust systems and related products subject to change without notice.

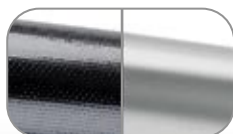


Akrapovic Slip-On Exhaust System for the Honda CBR 1000 RR (2004)

Akrapovic Exhaust System Technology copyright 2004, all rights reserved



CARBON-FIBER
MUFFLER CLAMP



The outer sleeve is available in carbon-fiber or titanium



The header tubes are made of stainless steel (Racing Line) or titanium (Evolution Line)

Road Program



Akrapovic Slip-On Exhaust System for the Honda CBR 1000 RR (2004)



Akrapovic Exhaust System Technology copyright 2004, all rights reserved

Road
Program

Product code: 102746 (S-H10SO3T-TC), 102747 (S-H10SO3T-TT)



Akrapovic Slip-On Exhaust System for the Honda CBR 1000 RR (2004)



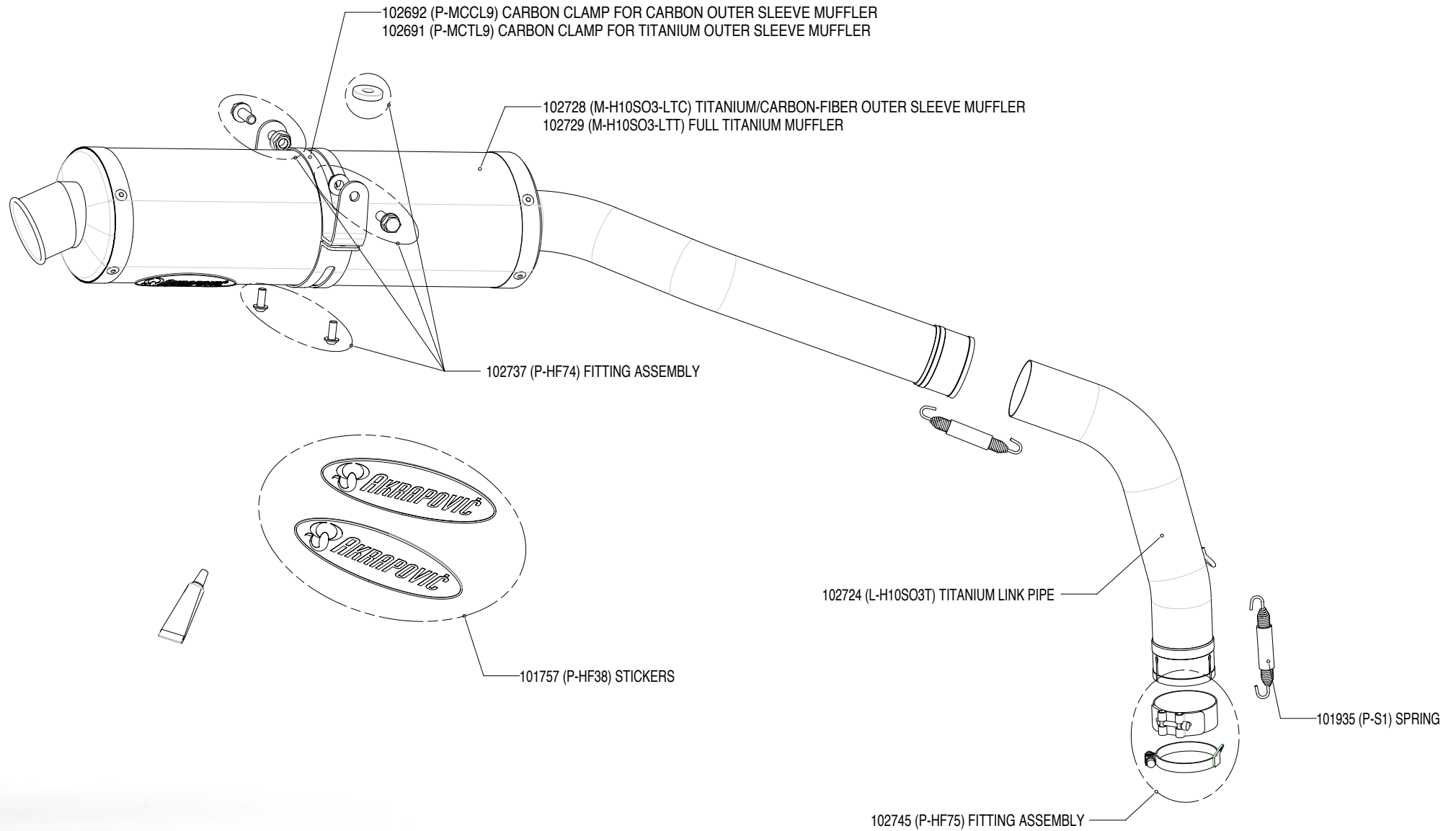
Akrapovic Exhaust System Technology copyright 2004, all rights reserved

Road Program



Akrapovic Slip-On Exhaust System

for the Honda CBR 1000 RR (2004)

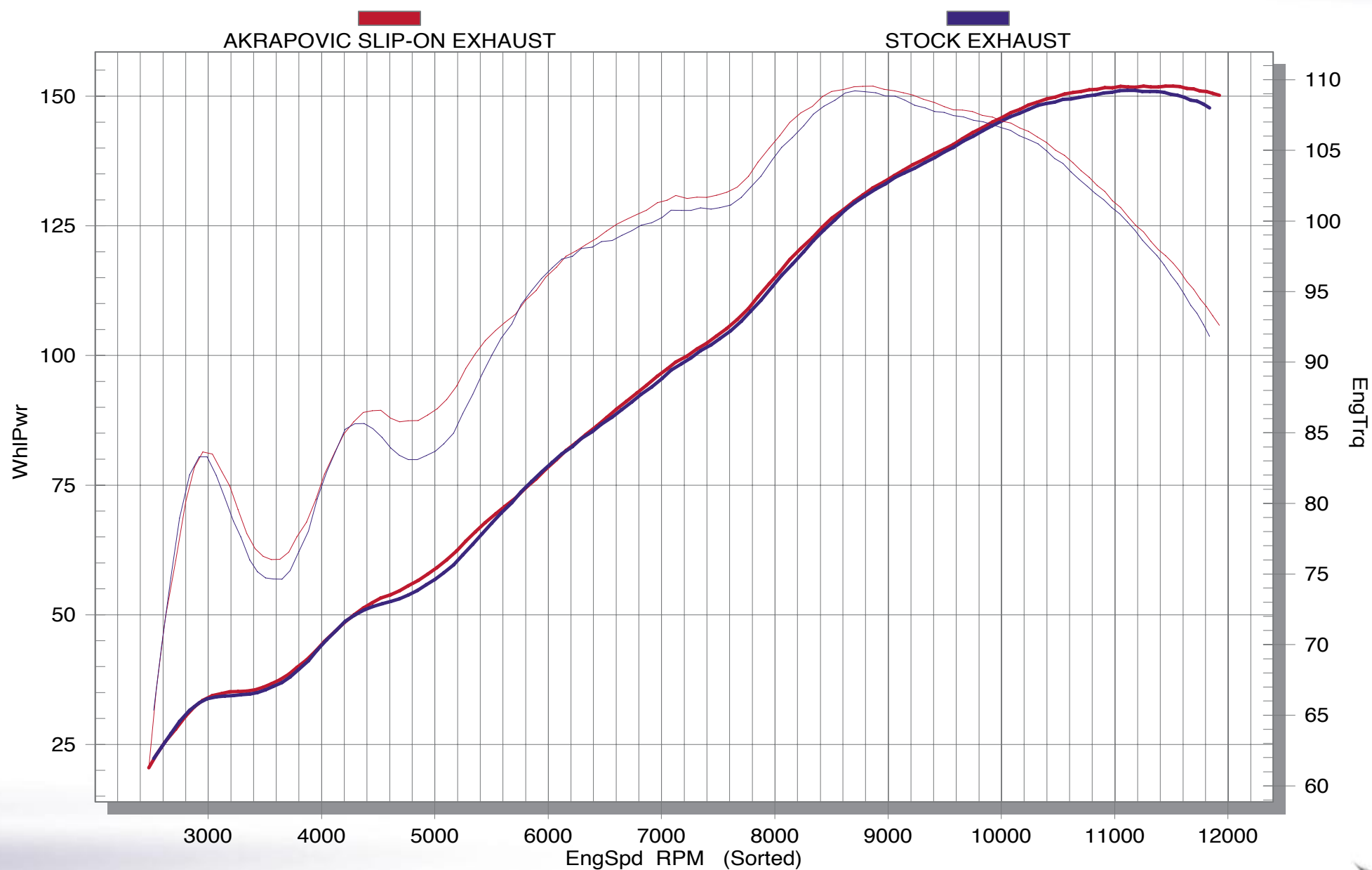


Akrapovic Exhaust System Technology copyright 2004, all rights reserved

Road Program



Akrapovic Slip-On Exhaust System for the Honda CBR 1000 RR (2004)



Road Program

Akrapovic Exhaust System Technology copyright 2004, all rights reserved

